

© 2022 - GZA GeoEnvironmental, Inc. GZA--\A.0.167000 - 0.167099\15.0167037.00.11 SAN SOUCI DR. PERMITTING & ENGINEERING\15.0167037.00 CAD\DWG\PROPOSED DRIVEWAY ALIGNMENT PLAN\DRIVEWAY PERMIT\DRIVEWAY OPTION 1 PLAN.DWG DWG 1 - SED & EROSION CONTROL JUNE 8, 2022 2:37PM STEVEN DAMBROSIO

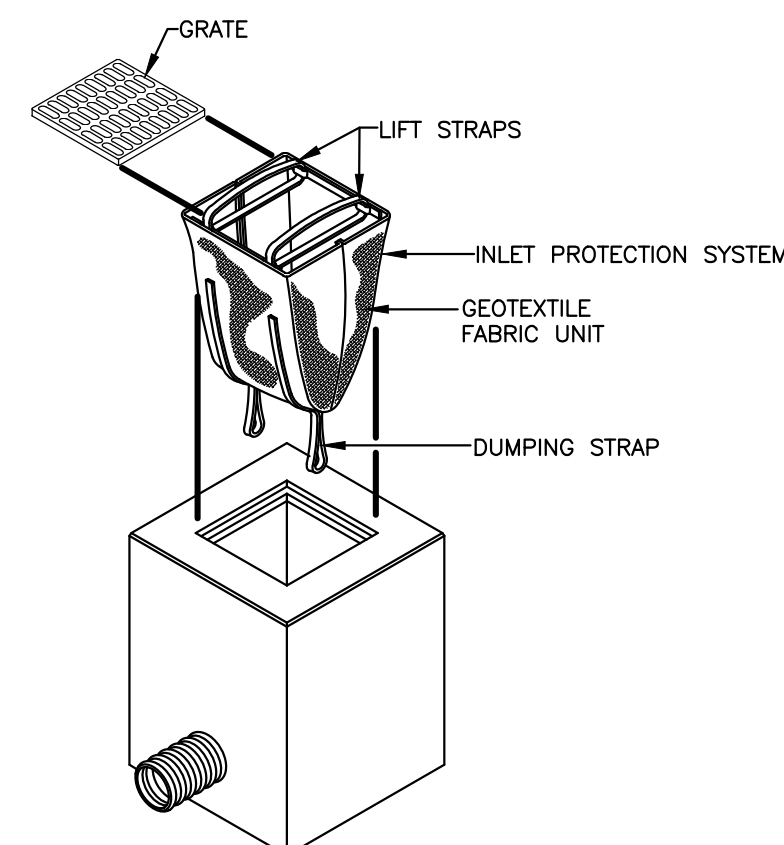
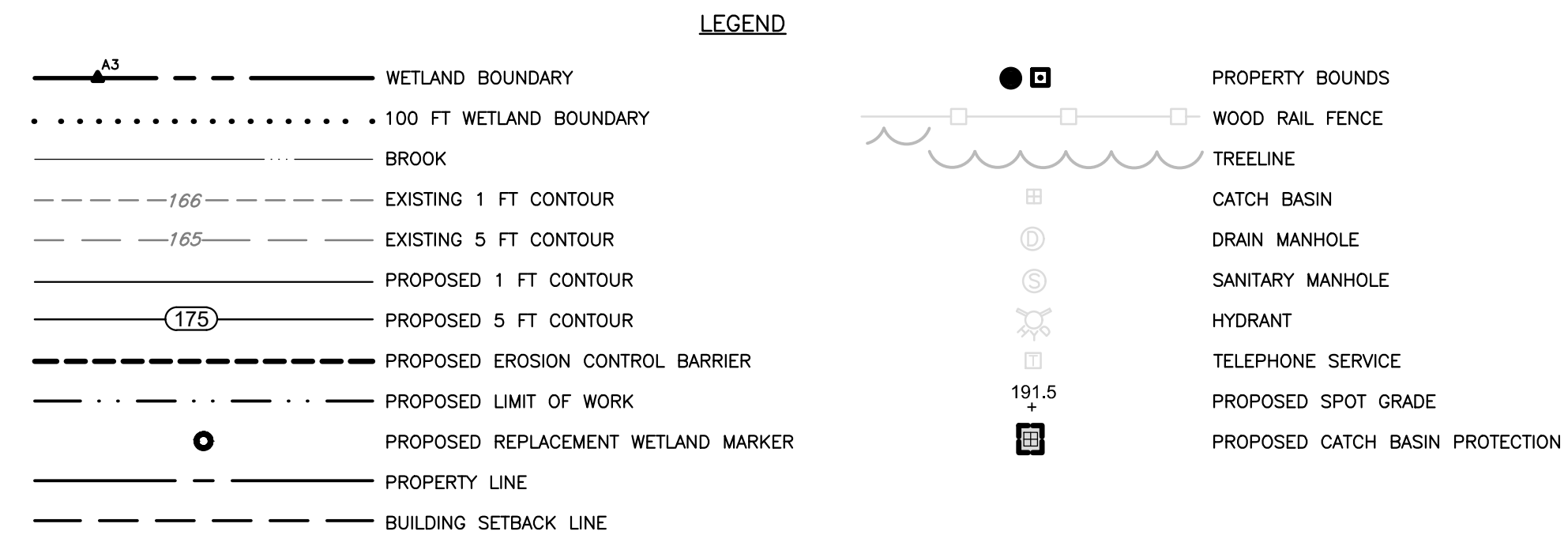
BRUCE J. CAMRIE &
AMANDA J. PICARDI
BOOK 14396 PAGE 42
PLAN BOOK 151 PAGE 27
(PARCEL 14)

EXISTING EASEMENT 8
SEE PLAN BOOK 151 PAGE 27

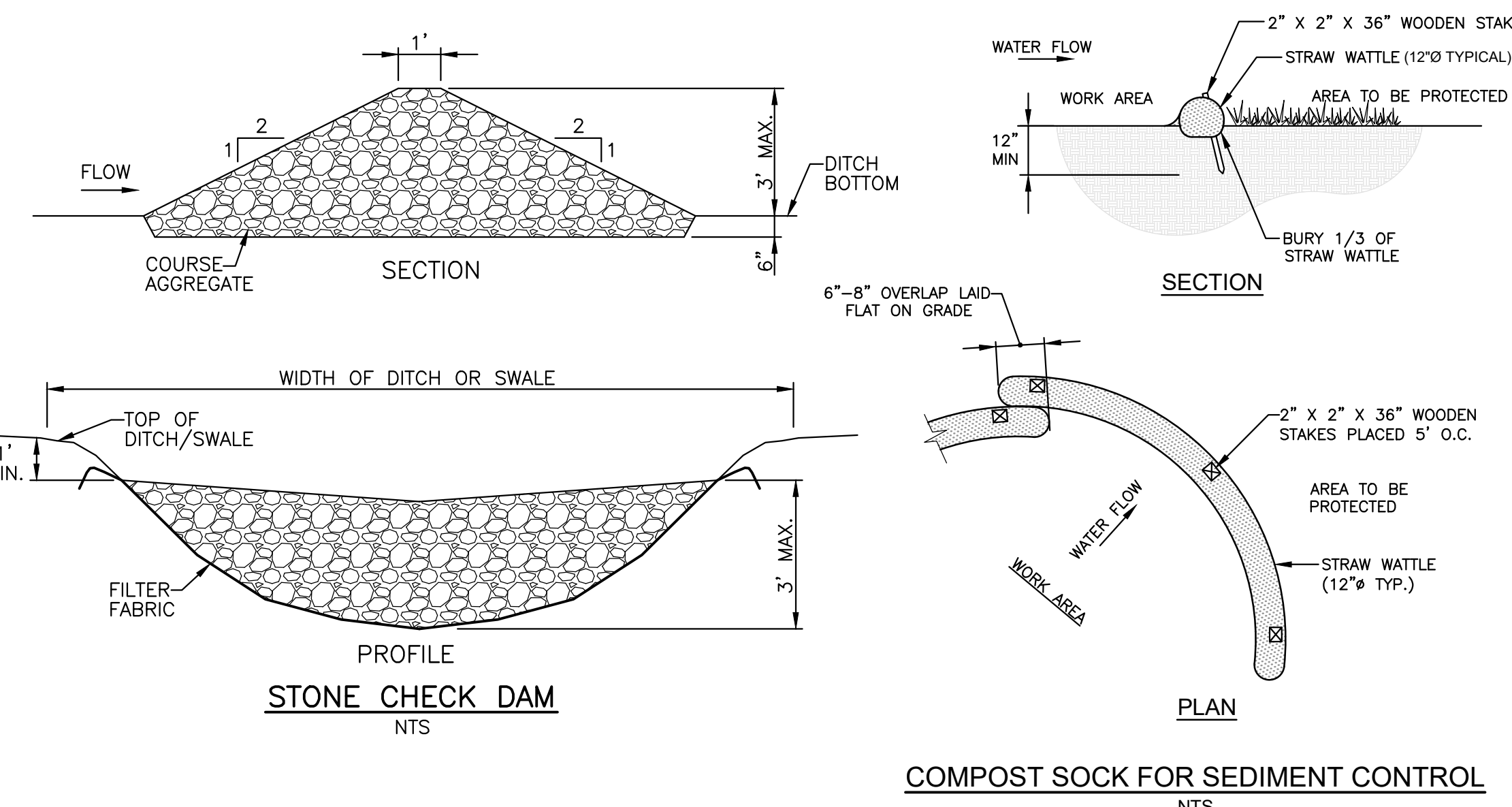
APRIL STAR-BRUDGEN
BOOK 14239 PAGE 223
PLAN BOOK 151 PAGE 27
(PARCEL 16)

NANCY D. BEAN &
MICHAEL C. BEAN
BOOK 7922 PAGE 180
PLAN BOOK 151 PAGE 27
(PARCEL 15)

NOTE: INSTALL CATCH BASIN
SEDIMENT PROTECTION IN FIRST SET
OF SAN SOUCI DRIVE CATCH BASINS
DOWNGRADIENT OF PROPOSED WORK



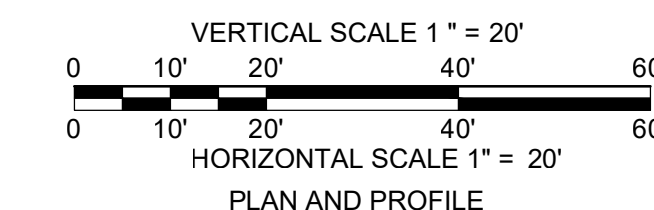
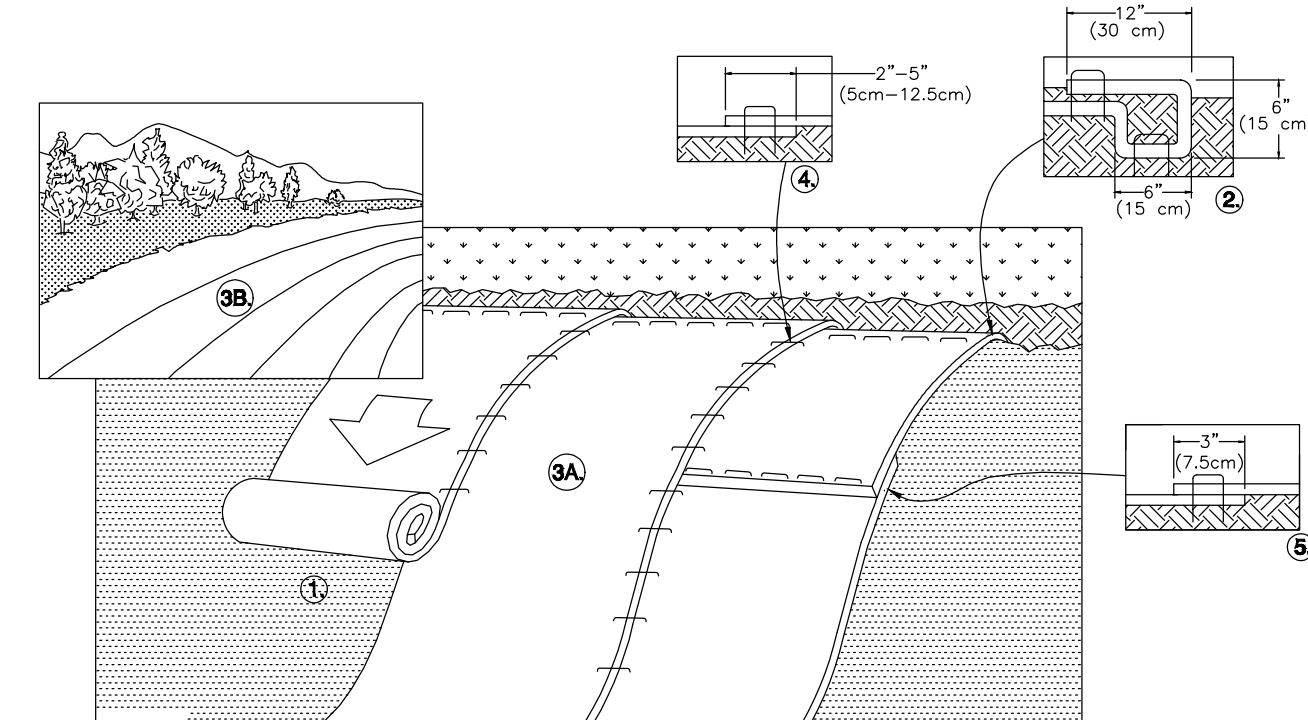
CATCH BASIN SEDIMENT PROTECTION
NTS



EROSION CONTROL BLANKETS SLOPE INSTALLATION NOTES:

- DETAILS ARE SCHEMATIC IN NATURE. THE REQUIREMENTS AS ESTABLISHED BY THE MANUFACTURER OF EACH APPROVED EROSION CONTROL BLANKET SHALL GOVERN.
- PREPARE SOIL BEFORE INSTALLING EROSION CONTROL BLANKETS (ECB's), INCLUDING ANY NECESSARY APPLICATION OF LIME, FERTILIZER, AND SEED.
- BEGIN AT TOP OF THE SLOPE BY ANCHORING THE ECB's IN A 6" (15 cm) DEEP x 6" (15 cm) WIDE TRENCH WITH APPROXIMATELY 12" (30 cm) OF ECB's EXTENDED BEYOND THE UP-SLOPE PORTION OF THE TRENCH. ANCHOR THE ECB's WITH A ROW OF STAPLES/STAKES APPROXIMATELY 12" (30 cm) APART IN THE BOTTOM OF THE TRENCH. BACKFILL AND COMPACT THE TRENCH AFTER STAPLING. APPLY SEED TO COMPACTED SOIL AND FOLD REMAINING 12" (30 cm) PORTION OF ECB'S BACK OVER SEED AND COMPACT SOIL. SECURE ECB's OVER COMPACTED SOIL WITH A ROW OF STAPLES/STAKES PLACE APPROXIMATELY 12" (30 cm) APART ACROSS THE WIDTH OF THE ECB's.
- ROLL THE ECB's (A.) DOWN OR (B.) HORIZONTALLY ACROSS THE SLOPE. ECB's WILL UNROLL WITH APPROPRIATE SIDE AGAINST THE SOIL SURFACE. ALL ECB's MUST BE SECURELY FASTENED TO SOIL SURFACE BY PLACING STAPLES/STAKES IN APPROPRIATE LOCATIONS AS SHOWN IN THE STAPLE PATTERN GUIDE. WHEN USING THE DOT SYSTEM, STAPLES/STAKES SHOULD BE PLACED THROUGH EACH OF THE COLORED DOTS CORRESPONDING TO THE APPROPRIATE STAPLE PATTERN.
- THE EDGES OF PARALLEL ECB's MUST BE STAPLED WITH APPROXIMATELY 2"-5" (5 cm-12.5 cm) OVERLAP DEPENDING ON THE ECB's TYPE.
- CONSECUTIVE ECB's SPLICED DOWN THE SLOPE MUST BE PLACED END OVER END (SHINGLE STYLE) WITH AN APPROXIMATE 3" (7.5 cm) OVERLAP. STAPLE THROUGH OVERLAPPED AREA, APPROXIMATELY 12" (30 cm) APART ACROSS ENTIRE ECB's WIDTH.

NOTE: *IN LOOSE SOIL CONDITIONS, THE USE OF STAPLE OR STAKE LENGTHS GREATER THAN 6" (15 cm) MAY BE NECESSARY TO PROPERLY SECURE THE ECB's.



NO.	ISSUE/DESCRIPTION	BY	DATE
2	REVISED PER CONSERVATION COMMISSION COMMENTS	STD	06/08/22
1	REVISED PER DEP COMMENTS	STD	05/18/22

UNLESS SPECIFICALLY STATED BY WRITTEN AGREEMENT, THIS DRAWING IS THE SOLE PROPERTY OF GZA GEOENVIRONMENTAL, INC. (GZA). THE INFORMATION SHOWN ON THE DRAWING IS SOLELY FOR USE BY GZA'S CLIENT OR THE CLIENT'S DESIGNATED REPRESENTATIVE FOR THE SPECIFIC PROJECT AND LOCATION IDENTIFIED ON THE DRAWING. THE DRAWING SHALL NOT BE TRANSFERRED, REUSED, COPIED, OR ALTERED IN ANY MANNER FOR USE AT ANY OTHER LOCATION OR FOR ANY OTHER PURPOSE WITHOUT THE PRIOR WRITTEN CONSENT OF GZA. ANY TRANSFER, REUSE, OR MODIFICATION TO THE DRAWING BY THE CLIENT OR OTHERS, WITHOUT THE PRIOR WRITTEN EXPRESS CONSENT OF GZA, WILL BE AT THE USER'S SOLE RISK AND WITHOUT ANY RISK OR LIABILITY TO GZA.

11 SAN SOUCI DRIVE
SOUTH HADLEY,
MASSACHUSETTS

SEDIMENT & EROSION CONTROL PLAN

PREPARED BY: GZA GeoEnvironmental, Inc. Engineers and Scientists www.gza.com	PREPARED FOR: MICHAEL BEAN 63 DARTMOOR OF ENFIELD, UNIT #63 ENFIELD, CT
PROJ MGR: STD DESIGNED BY: STD DATE: APRIL 28, 2022	REVIEWED BY: SAB DRAWN BY: SAB PROJECT NO. 15.0167037.00
CHECKED BY: SCALE: AS NOTED REVISION NO. 2	DRAWING 1 SHEET NO. 1 OF 3

P.E. STAMP: