

S:\Projects\2022\220104 - Linsky - 68 School St. South Hadley\Civil\3D\220104 - SITE.dwg



NOTES

1. THE RECORD OWNER OF THE SUBJECT PARCELS IS MELANIE NAVARRO & MARIA CENTENO. SEE HAMPSHIRE COUNTY REGISTRY OF DEEDS BOOK 13558 PAGE 19 & 20.
2. THE PROPERTY LINES SHOWN HEREON ARE BASED ON MASS GIS AND ARE APPROXIMATE.
3. THIS PLAN HAS BEEN PREPARED FOR CONSERVATION PERMITTING PURPOSES AND SHALL NOT BE USED FOR THE CONVEYANCE OF LAND OR FOR ANY OTHER USE.
4. SUBJECT PARCELS CONTAIN A TOTAL OF 1.09± ACRES.
5. THE SUBJECT PROPERTIES SHOWN HEREON MAY BE SUBJECT TO RIGHTS AND EASEMENTS AS CONTAINED IN THE VARIOUS DEEDS OF RECORD DESCRIBING SAID PROPERTIES. THE LOCATION AND EXTENT OF ANY SUCH RIGHTS AND EASEMENTS IS NOT THE SUBJECT OF THIS PLAN.
6. UTILITIES HAVE NOT BEEN SHOWN.
7. ADJACENT PROPERTY LINES AND ABUTTERS SHOWN HEREON ARE REFERENCED FROM THE MASS GIS.
8. SUBJECT PARCEL IS ZONED RESIDENTIAL B, ACCORDING TO THE SOUTH HADLEY ZONING MAP.
9. THE SUBJECT PARCEL IS NOT LOCATED WITHIN A SPECIAL FLOOD ZONE AREA ACCORDING TO FLOOD INSURANCE RATE MAP NUMBER 25013C0216E - EFFECTIVE DATE: 07/17/2013.
10. THE SUBJECT PROPERTY IS NOT LOCATED WITHIN NATURAL HERITAGE & ENDANGERED SPECIES PROGRAM (NHESP) JURISDICTION.

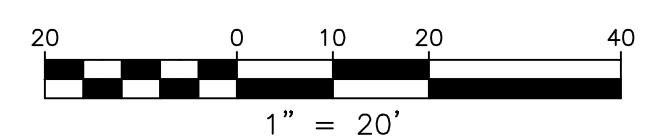
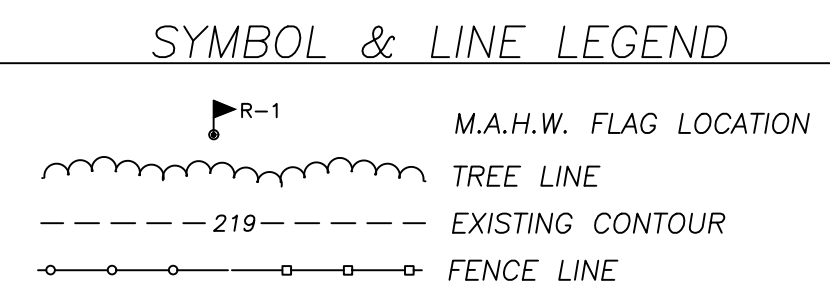
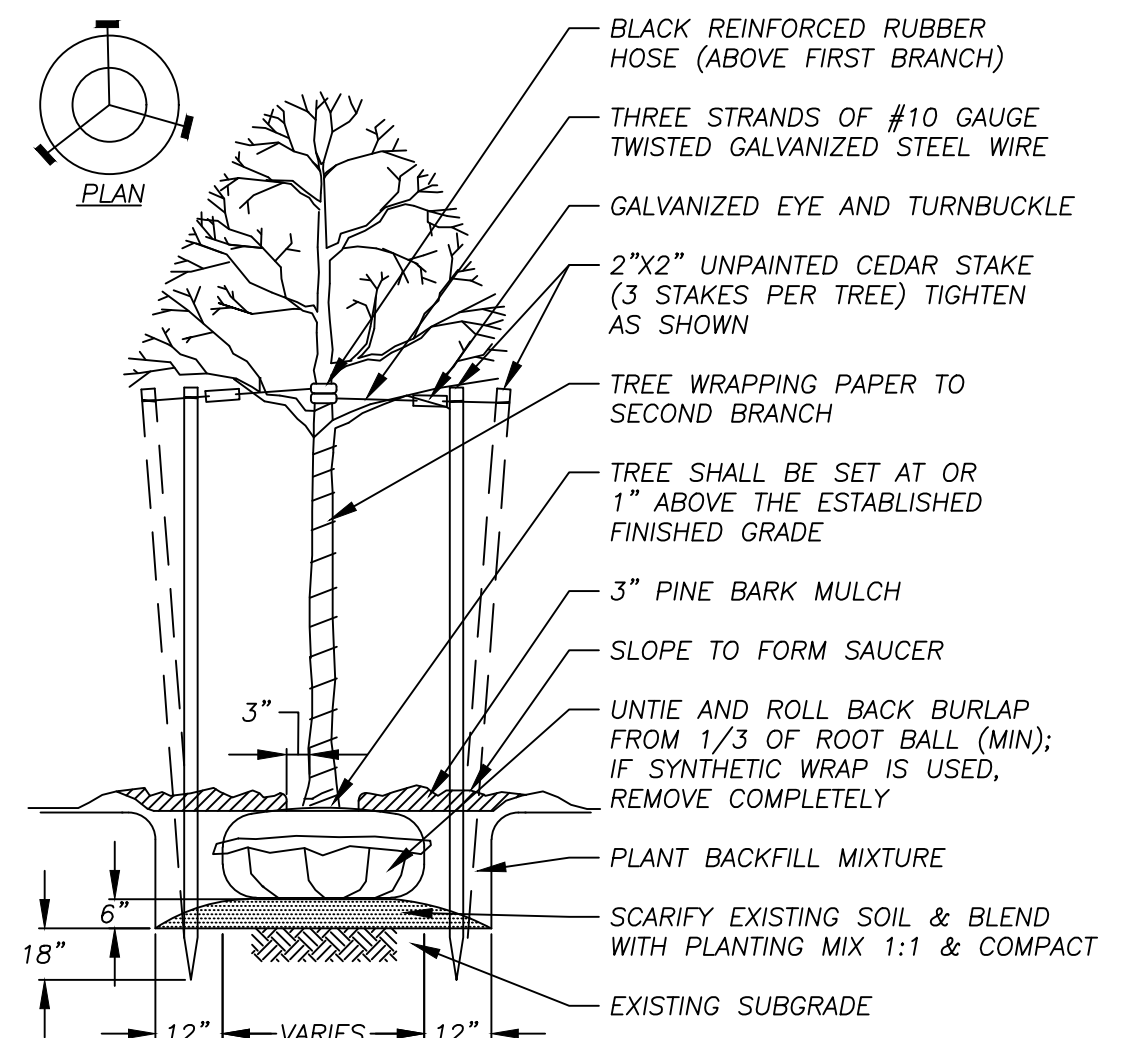
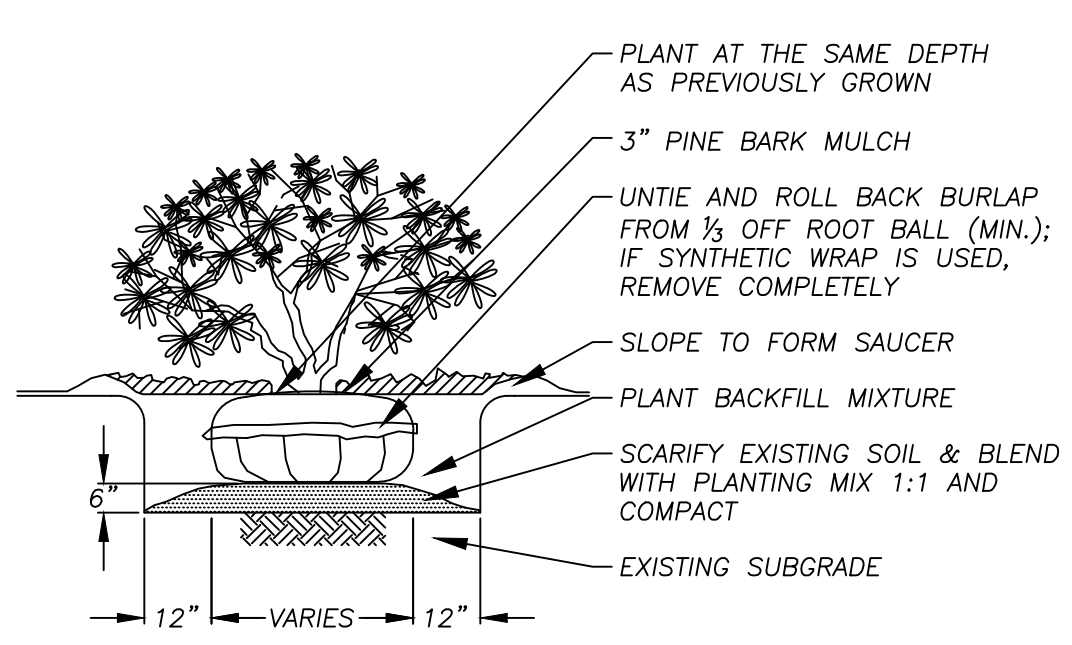
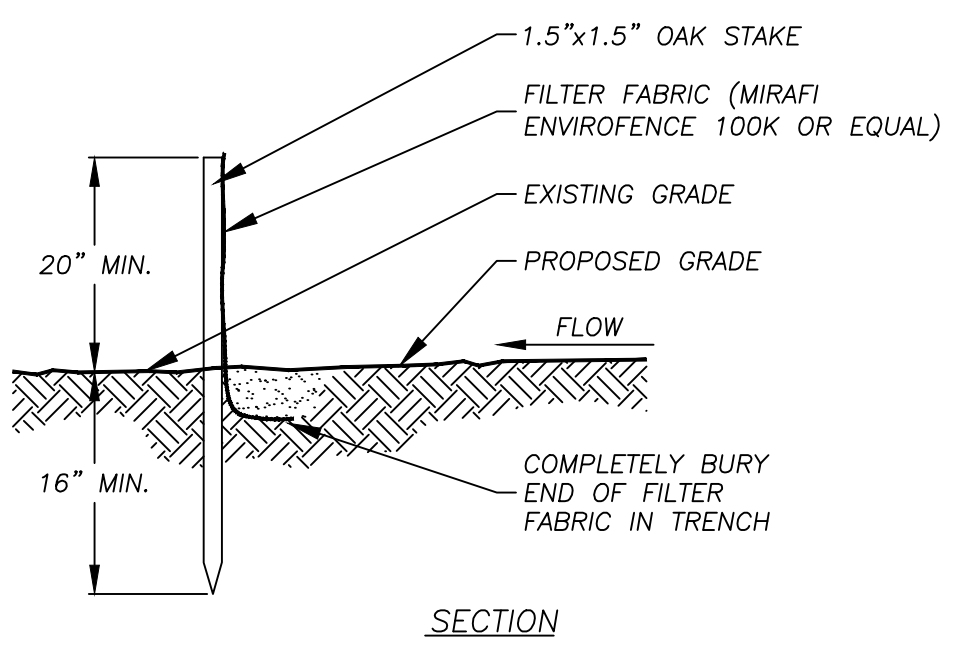
RIVERFRONT AREA SUMMARY

TOTAL RIVERFRONT AREA ON PROPERTY	45,845 FT ²
10% OF RIVERFRONT AREA	4,584±
PROPOSED RIVERFRONT ALTERATION	1,670±*

* EXEMPT ACTIVITY UNDER 310 CMR 10.02(2)(B)(2)(E)

PLANT LIST

KEY	QTY.	BOTANICAL NAME	COMMON NAME	SIZE/SPACING
AS	7	ACER SACCHARINUM	SUGAR MAPLE	4-5' HT. (> 5 GAL. CONTAINER)
QR	6	CORNUS ALTERNIFOLIA	ALTERNATE-LEAVED DOGWOOD	2-3' HT. (> 5 GAL. CONTAINER)
FG	10	AMELANCHIER CANADENSIS	SERVICEBERRY	2-3' HT. (> 5 GAL. CONTAINER)
+	-	RESTORATION AREA TO BE SEEDED	NEW ENGLAND CONSERVATION/WILDLIFE MIX	RATE PER SUPPLIER REC.



RLA
R LEVESQUE ASSOCIATES INC.
Landscape Architects
Civil Engineers - Land Surveyors
Environmental Consultants
ph: 413.568.0985 fax: 413.568.0986
40 School Street
Westfield, MA 01085
rlaland.com

CONSERVATION FILING PLAN
68 & 0 School Street
South Hadley, Mass.
(Assessor's Map 5B, Parcel 21 & 65)

PREPARED FOR:
Gary Linsky
Green Street Logistics, Inc.
216 Mt. Holly Drive
Springfield, MA

ISSUANCE DATE: February 17, 2022
REVISIONS:
A. Path width 3/14/22

DRAFTED BY: E.S.

UNAUTHORIZED ALTERATION OF THIS DOCUMENT IS A VIOLATION OF MASSACHUSETTS STATE LAW

SCALE: As Noted
RLA PROJ. NUMBER: 220104
DRAWING# W-1 **REV.** A