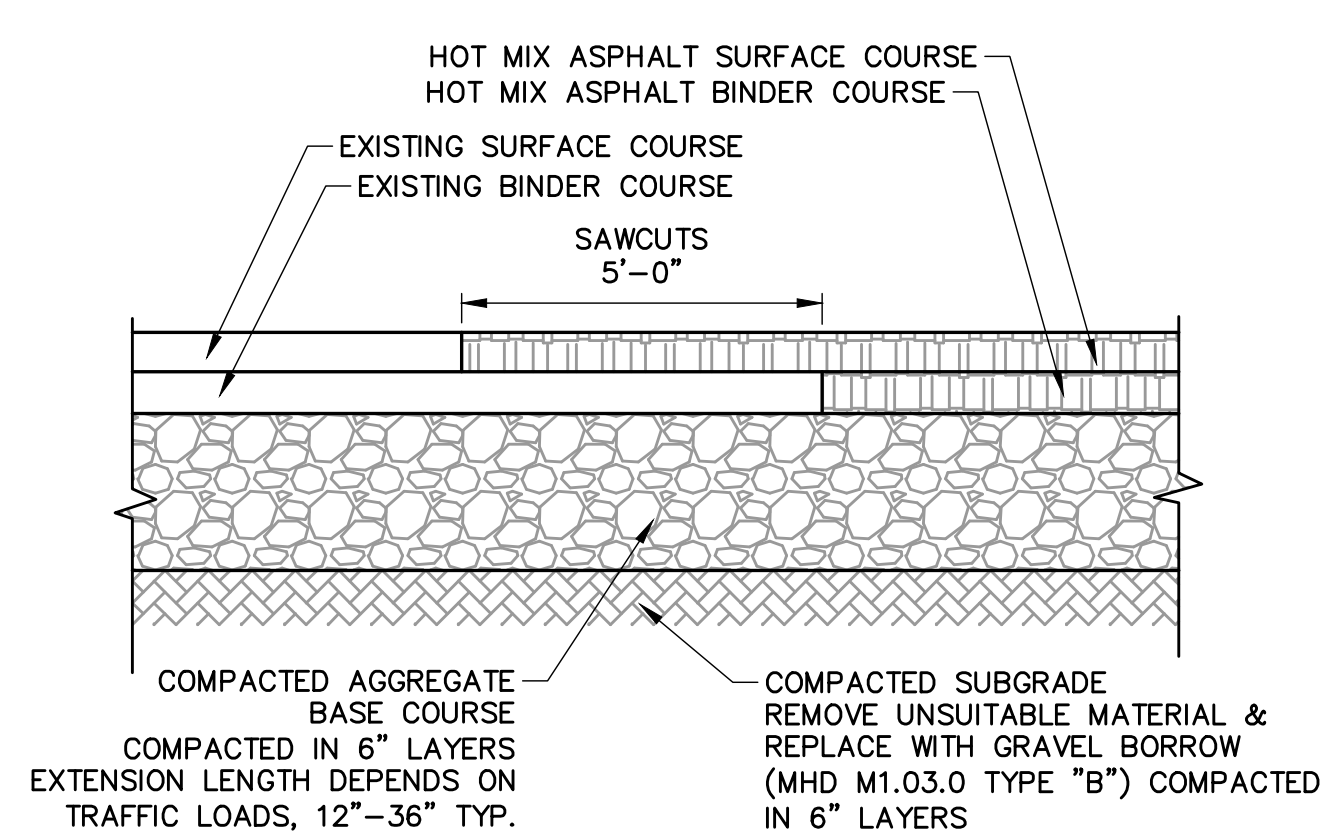
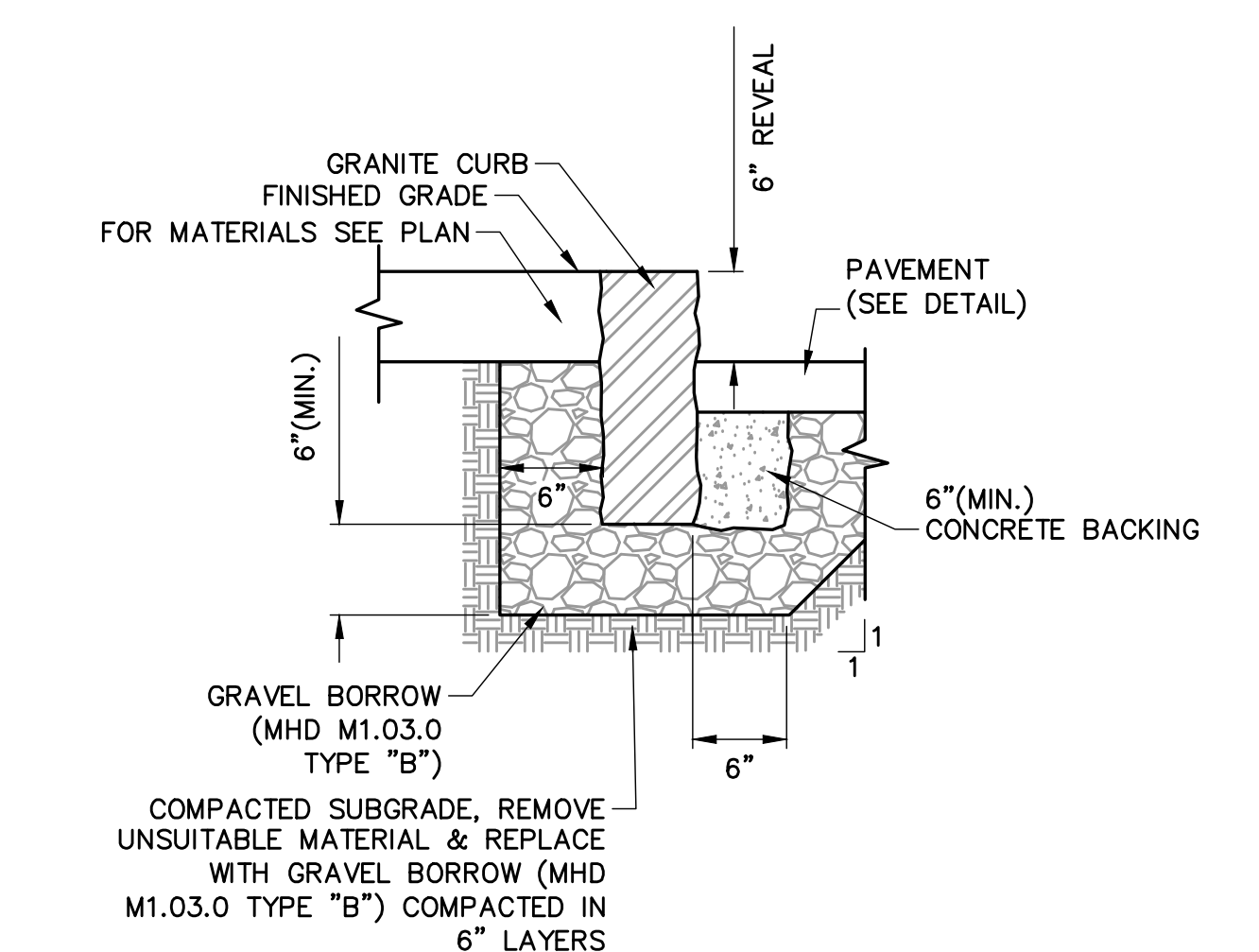


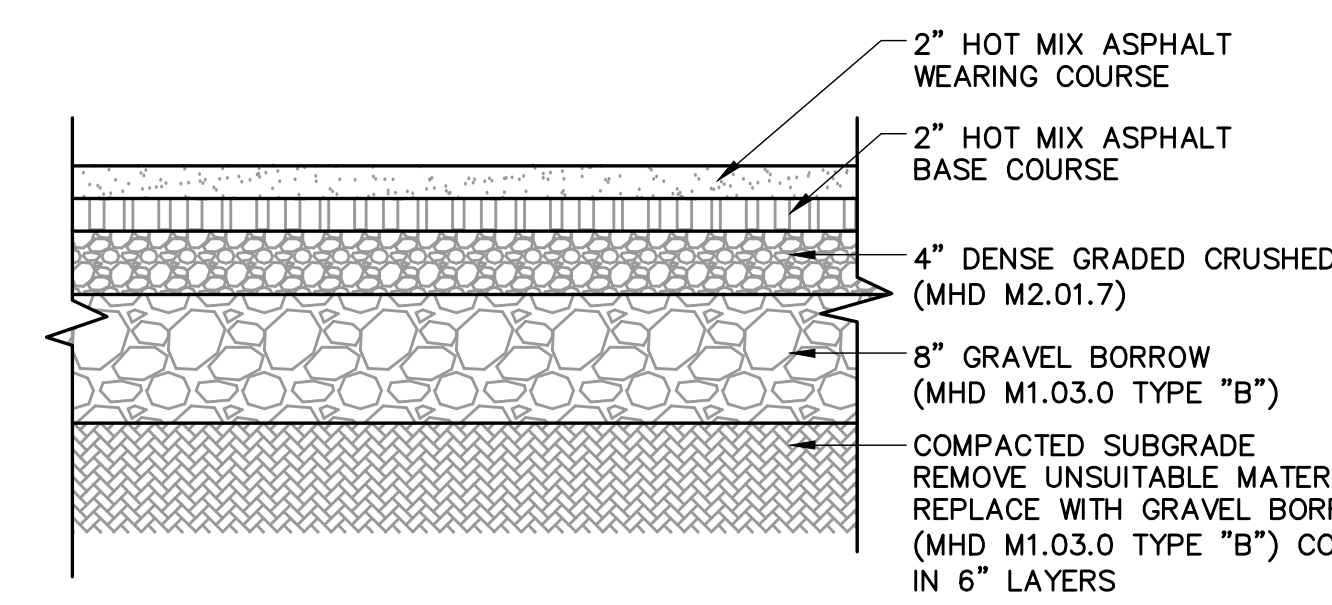
SECTION A-A
PARALLEL PEDESTRIAN RAMP AT CORNER DETAIL
NOT TO SCALE



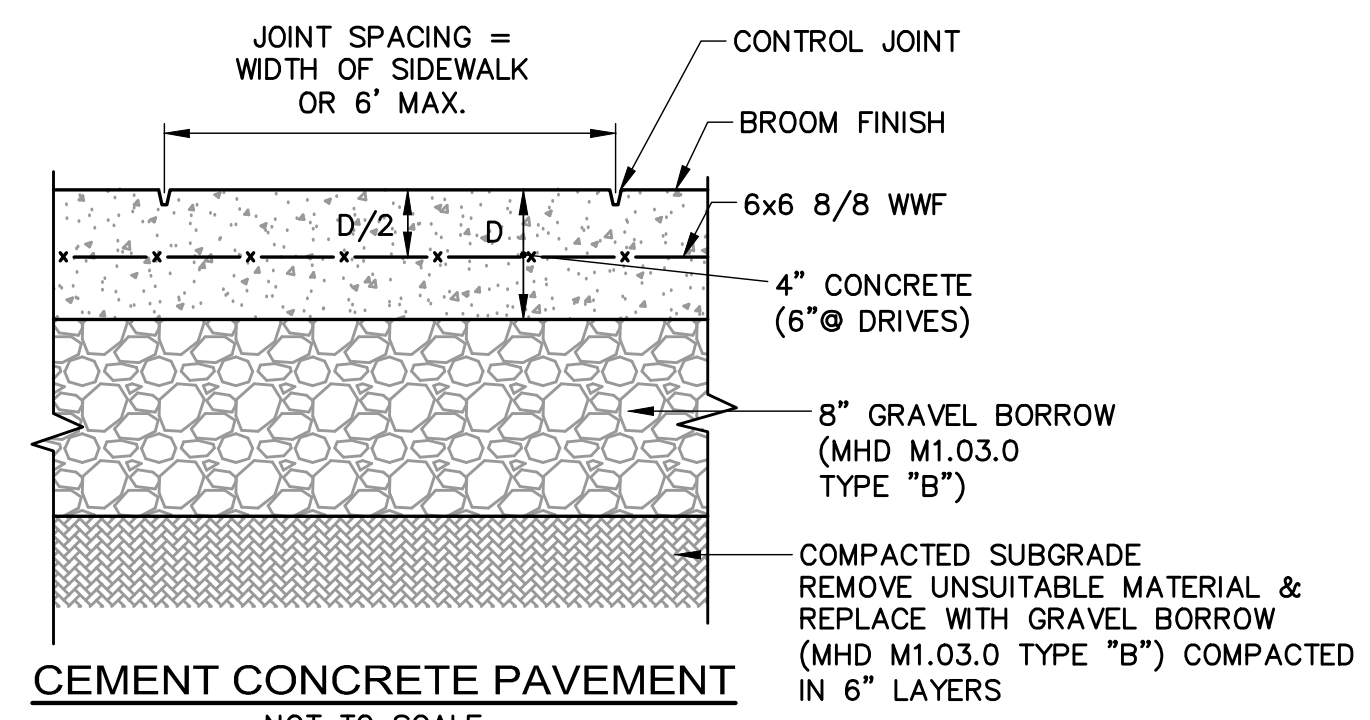
PAVEMENT MATCHING DETAIL
NOT TO SCALE



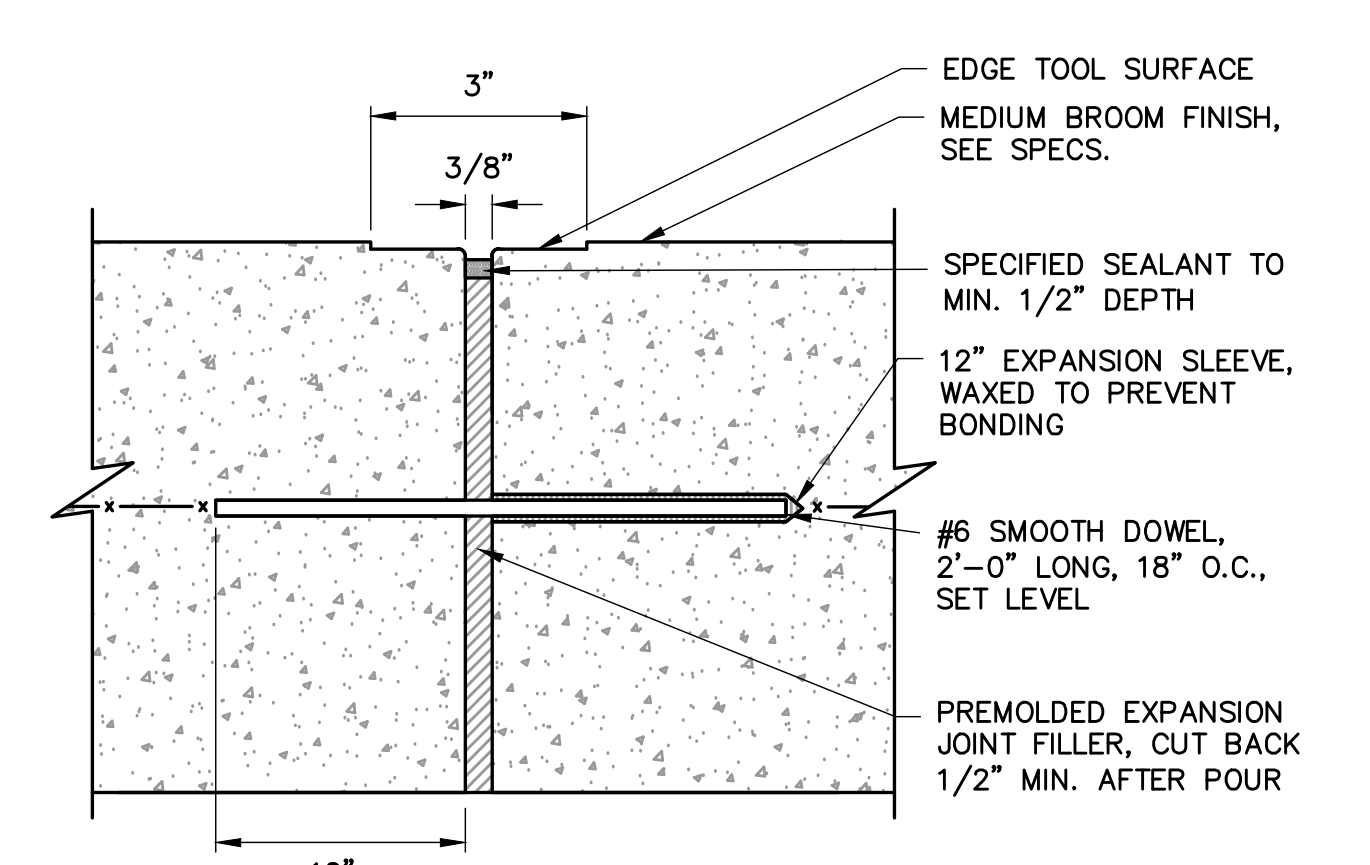
VERTICAL GRANITE CURB SETTING
NOT TO SCALE



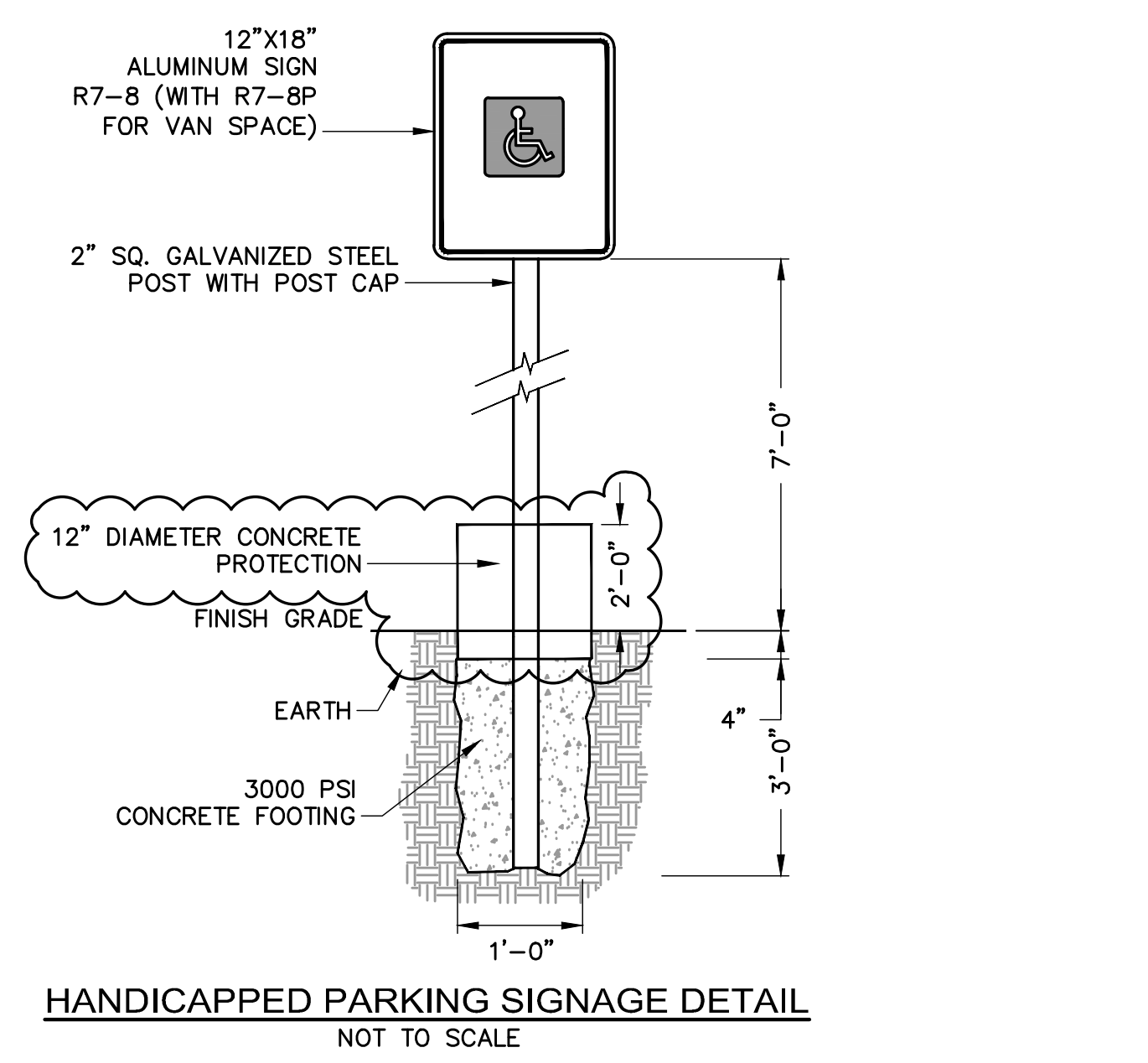
HOT MIX ASPHALT PAVING (TWO COURSES)
NOT TO SCALE



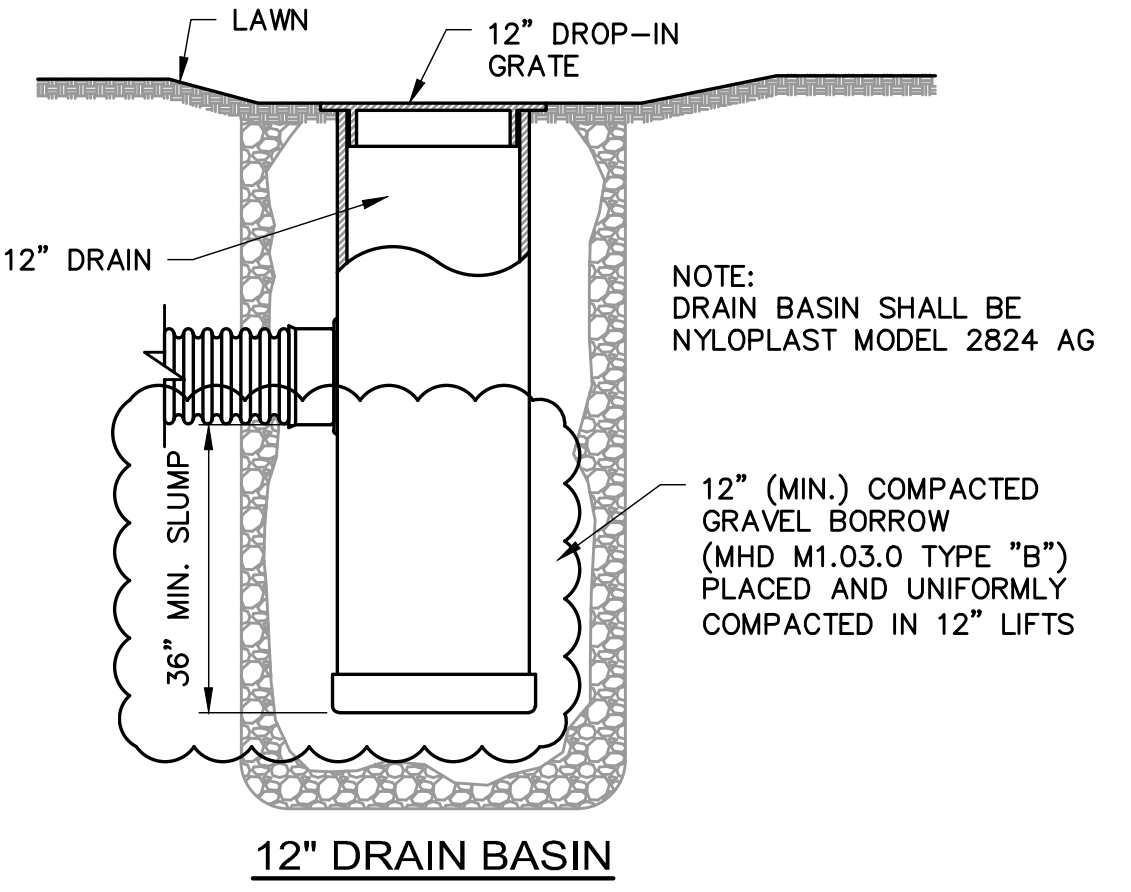
CEMENT CONCRETE PAVEMENT
NOT TO SCALE



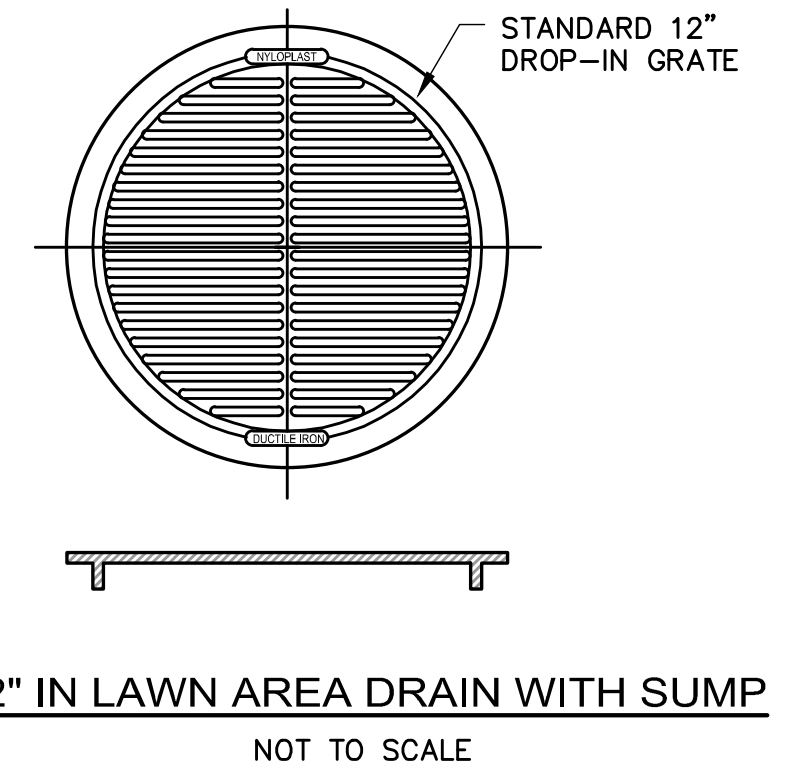
EXPANSION JOINT
NOT TO SCALE



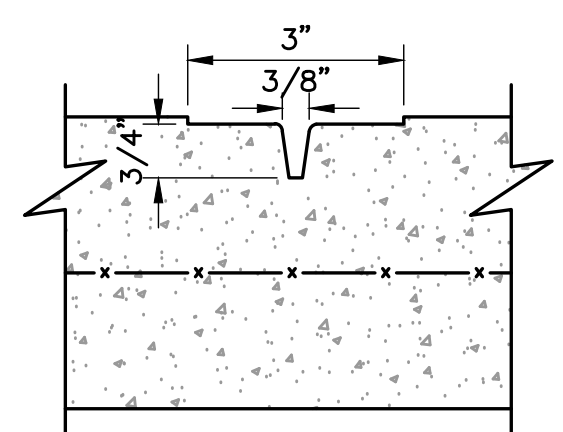
HANDICAPPED PARKING SIGNAGE DETAIL
NOT TO SCALE



12" DRAIN BASIN

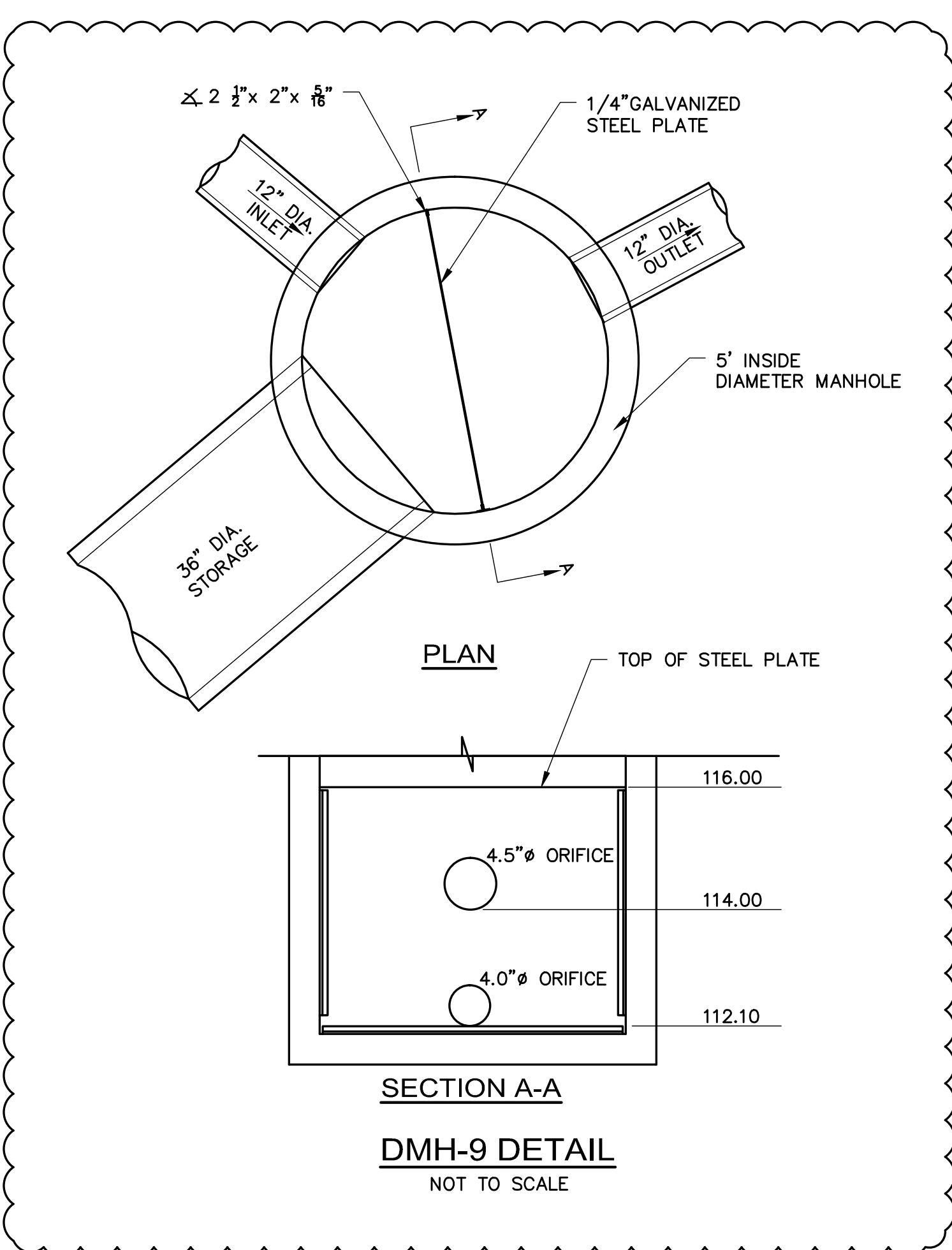


12" IN LAWN AREA DRAIN WITH SUMP
NOT TO SCALE

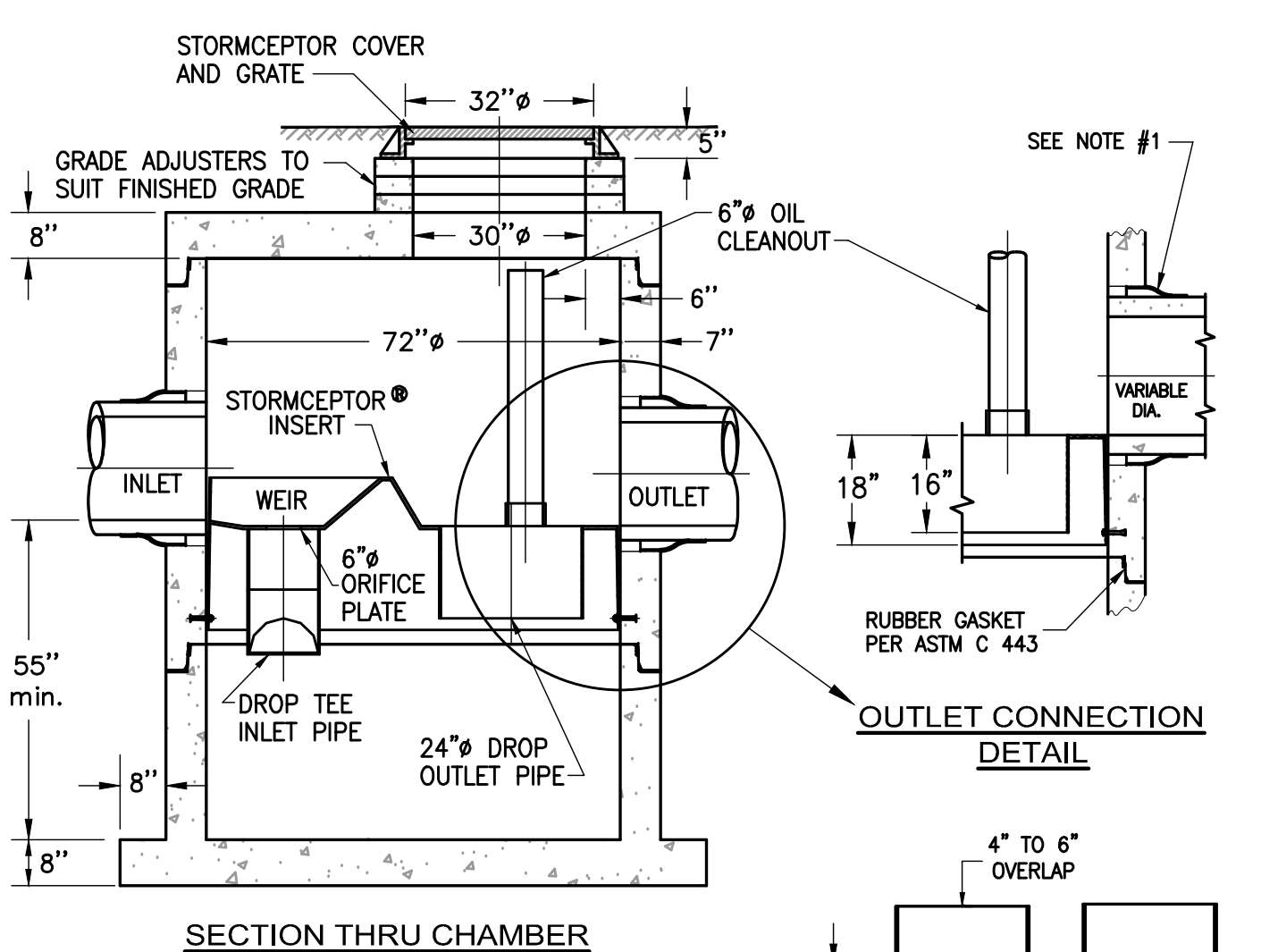


CONTROL JOINT
NOT TO SCALE

- NOTES:
- CONTROL JOINTS 5' O.C. UNLESS SHOWN OTHERWISE (6' MAX).
 - TOOLED EDGES AND JOINTS ALL PANELS.
 - TOOL CONTROL JOINT TO DIMENSIONS SHOWN WITH 1-1/2" EDGER.

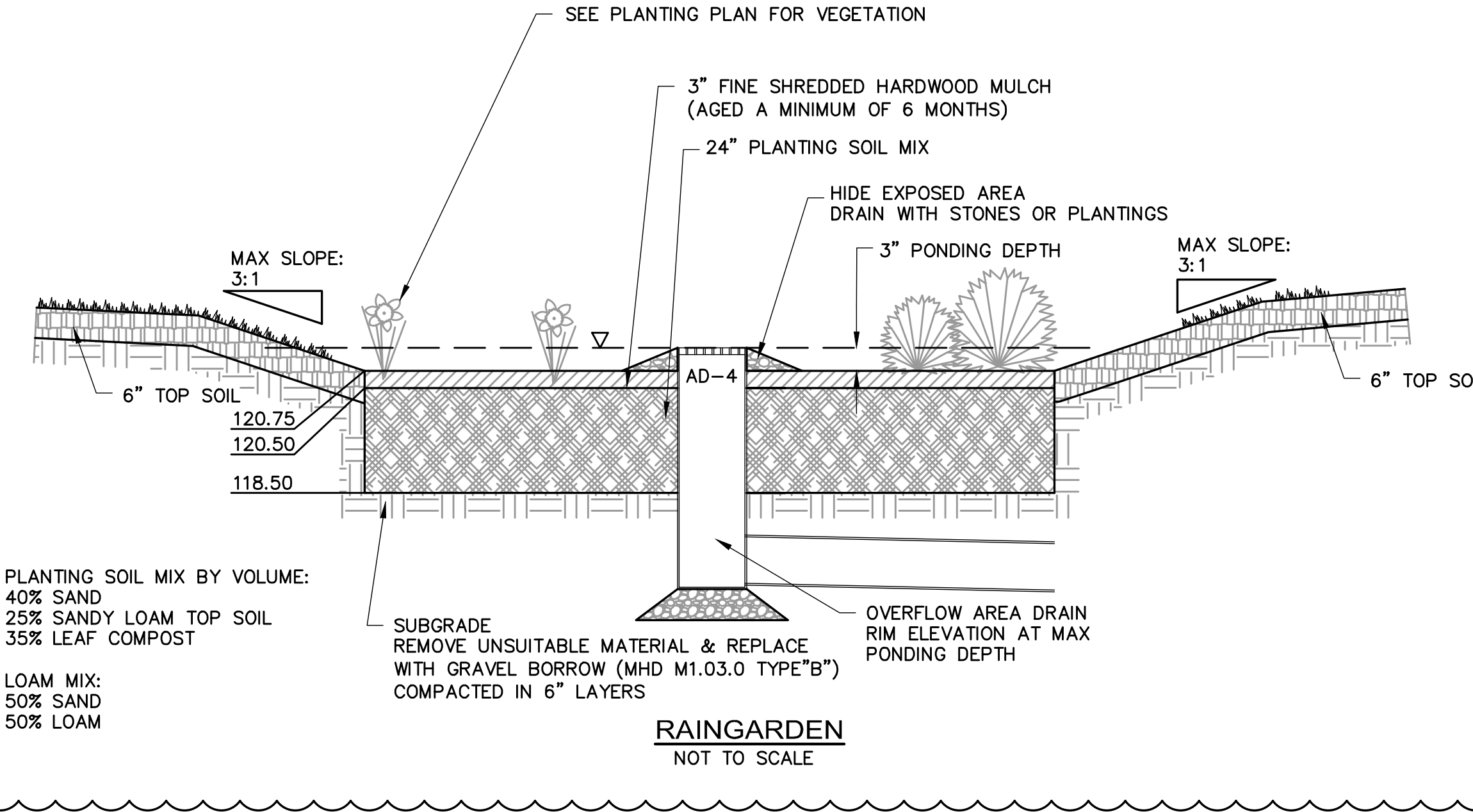


SECTION A-A
DMH-9 DETAIL
NOT TO SCALE



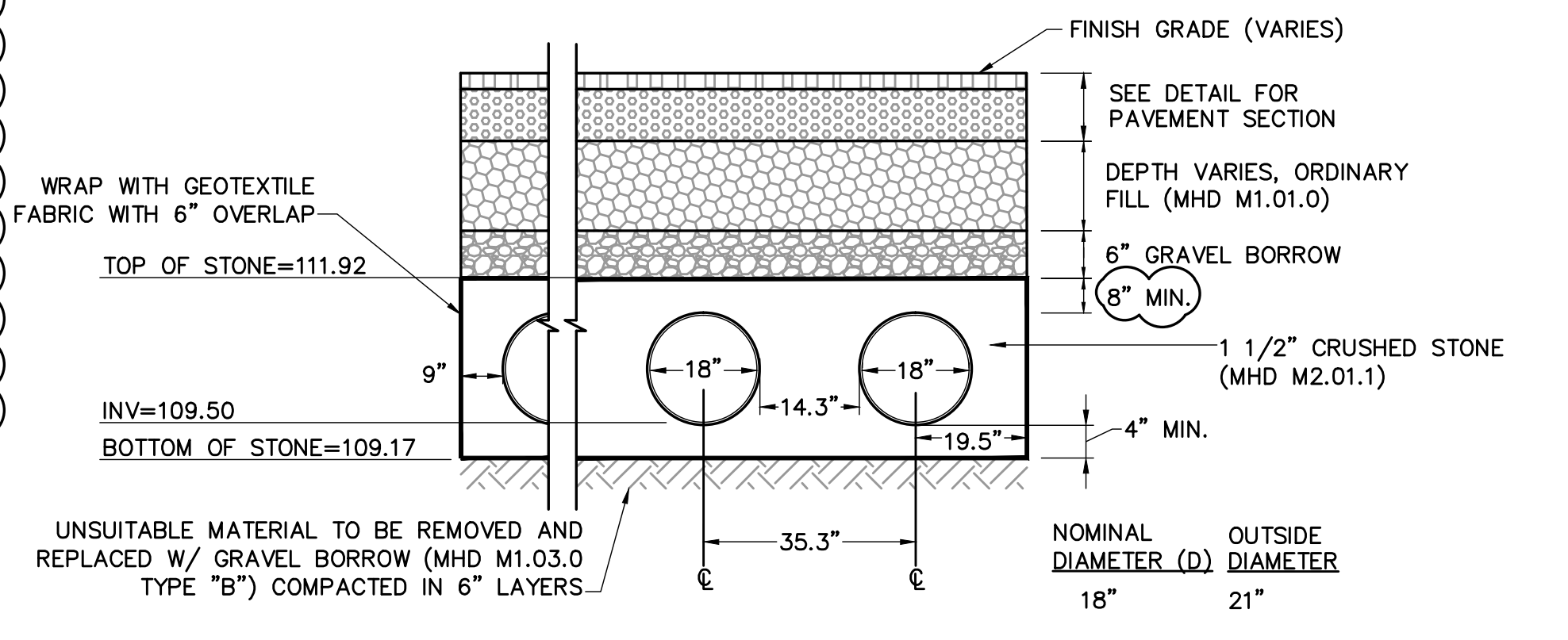
SECTION THRU CHAMBER
WATER QUALITY STRUCTURE
900 GALLON STORMCEPTOR
NOT TO SCALE

- NOTE:
- THE USE OF FLEXIBLE CONNECTIONS IS RECOMMENDED AT THE INLET AND OUTLET WHERE APPLICABLE.
 - THE COVER SHOULD BE POSITIONED OVER THE OUTLET DROP PIPE AND THE OIL CLEANOUT PIPE.



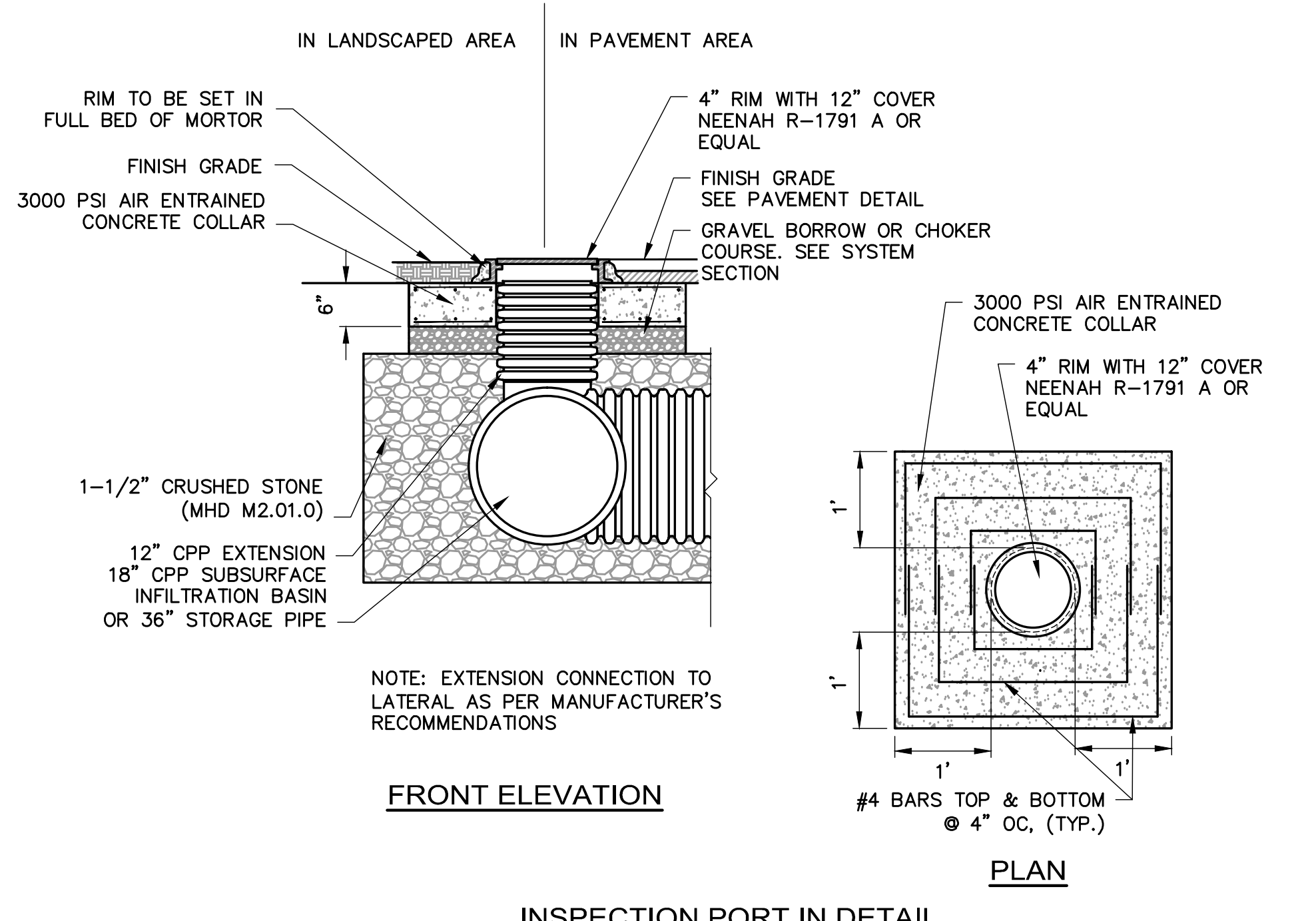
RAINGARDEN
NOT TO SCALE

- PLANTING SOIL MIX BY VOLUME:
- 40% SAND
 - 25% SANDY LOAM TOP SOIL
 - 35% LEAF COMPOST
- LOAM MIX:
- 50% SAND
 - 50% LOAM



INFILTRATION BASIN
NOT TO SCALE

- UNSUITABLE MATERIAL TO BE REMOVED AND REPLACED W/ GRAVEL BORROW (MHD M1.03.0 TYPE 'B') COMPACTED IN 6" LAYERS.



INSPECTION PORT IN DETAIL
NOT TO SCALE

- Civil Engineering
- Land Surveying
- Transportation Engineering
- Sustainable Site Consulting
- Planning
- GIS

Revisions:

REVISED PERMIT SET - 2/15/2013