

NOTE:
 • INJECTION MOLDED FITTINGS ARE AVAILABLE IN TEES, WYES, REDUCERS, 45° BENDS AND BELL/BELL COUPLERS.
 • WT INJECTION MOLDED FITTINGS AND WT PIPE CAN BE SUBSTITUTED FOR WATER TIGHT APPLICATIONS

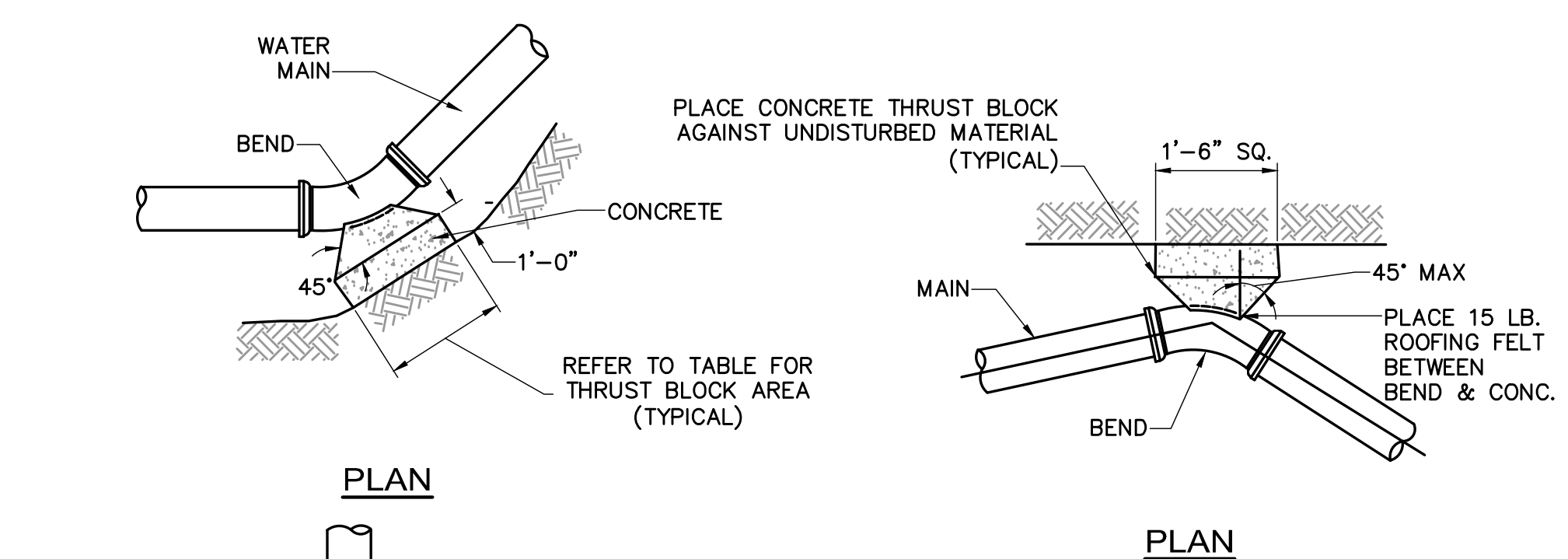
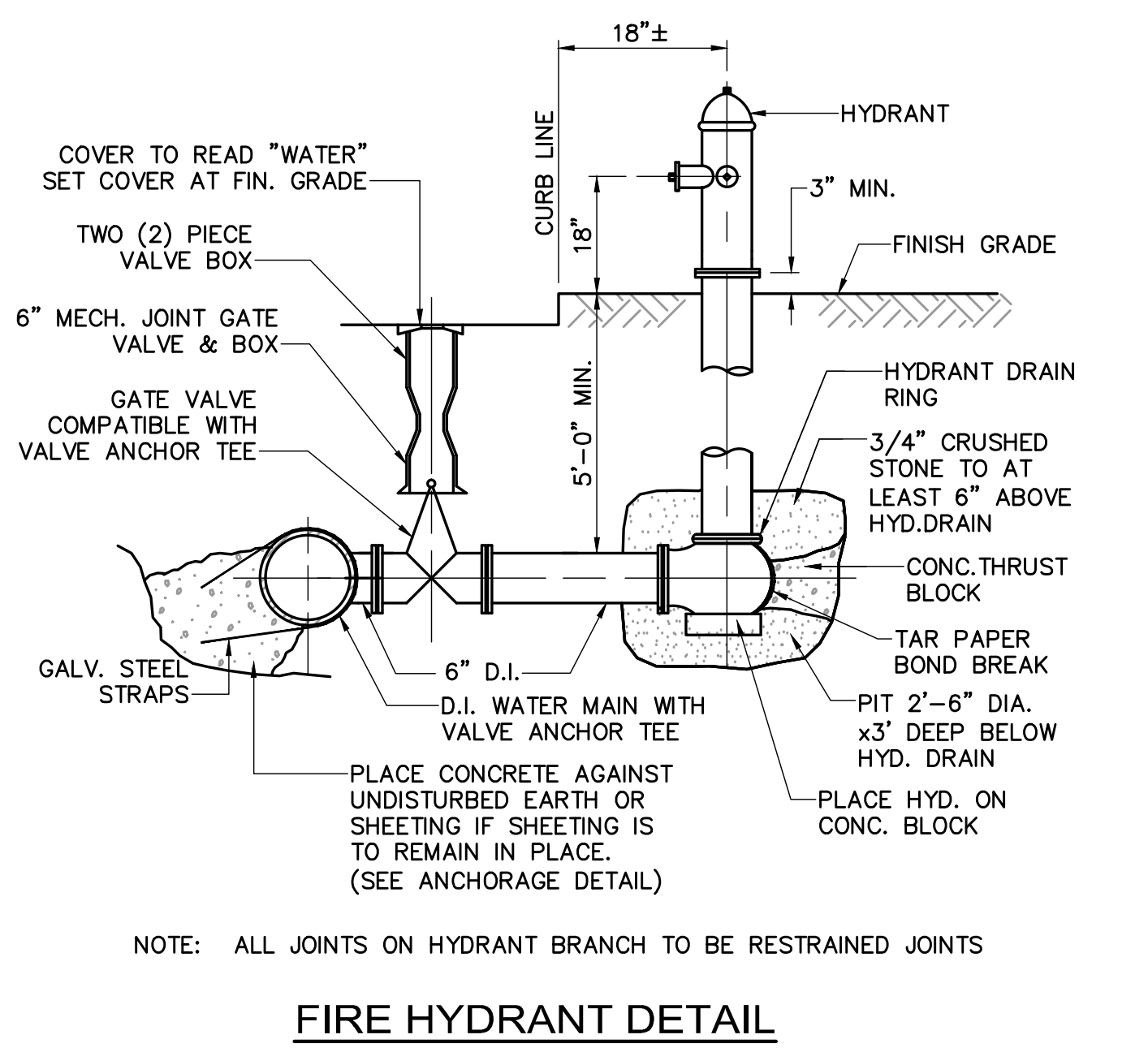
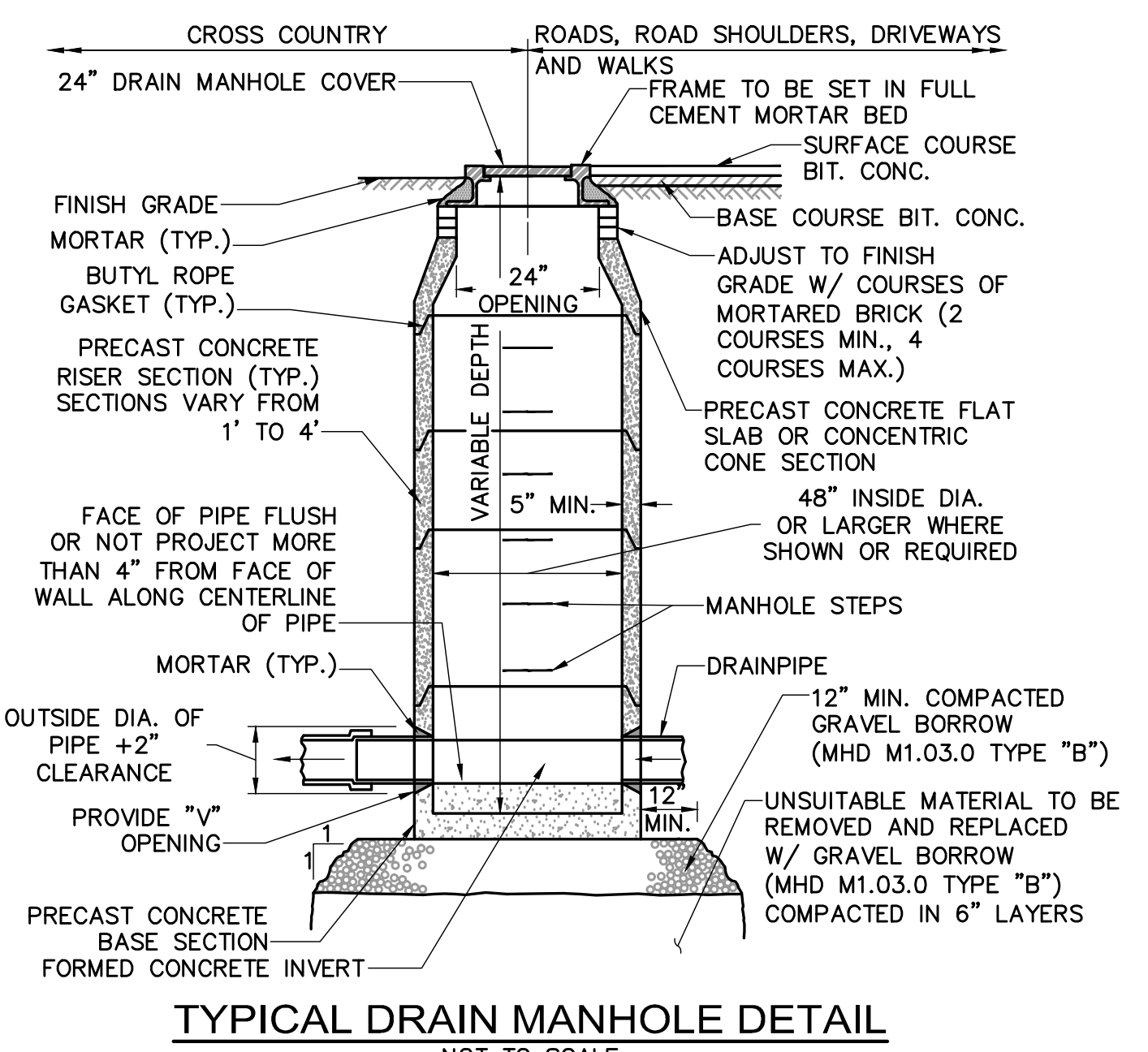
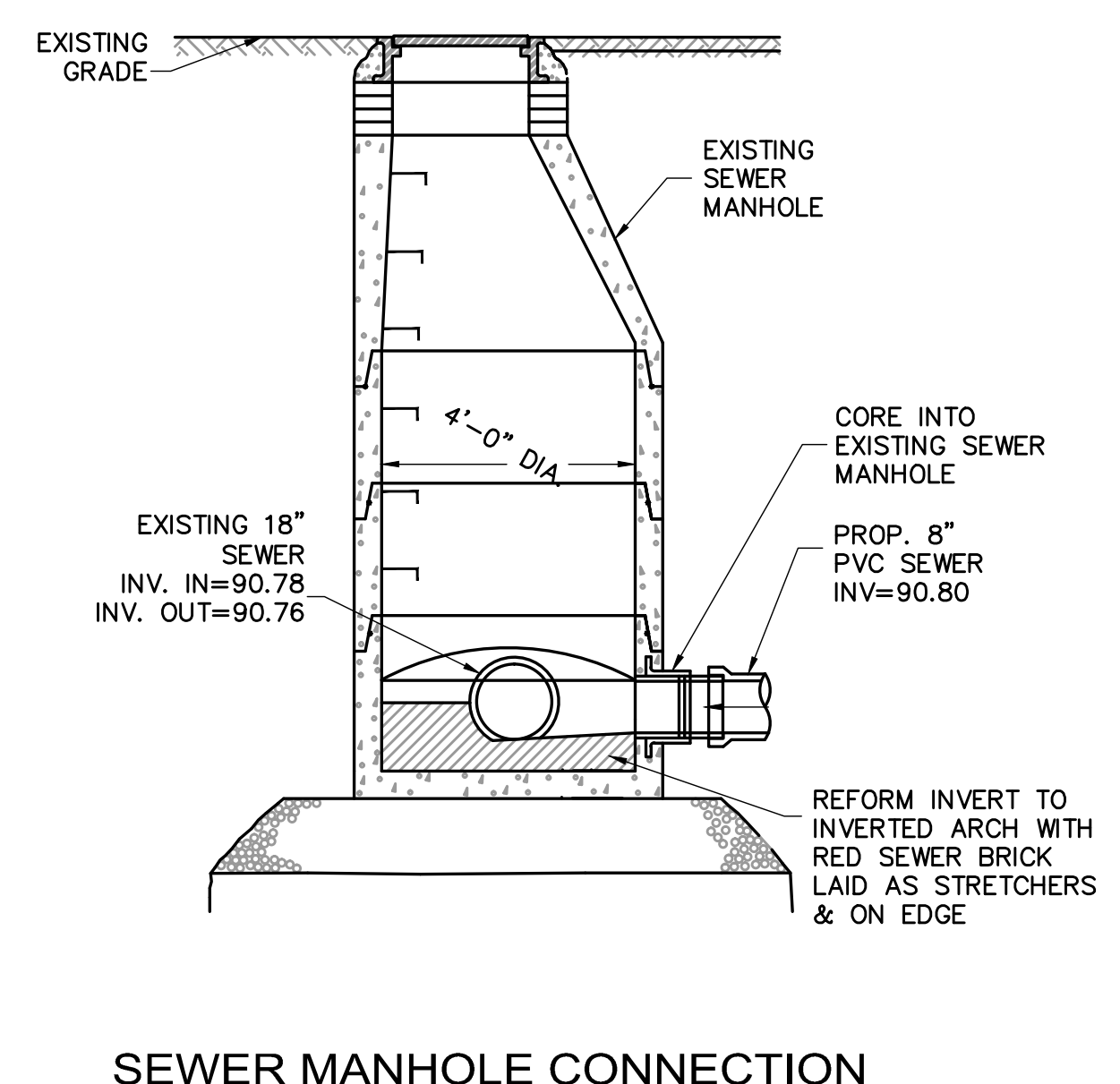
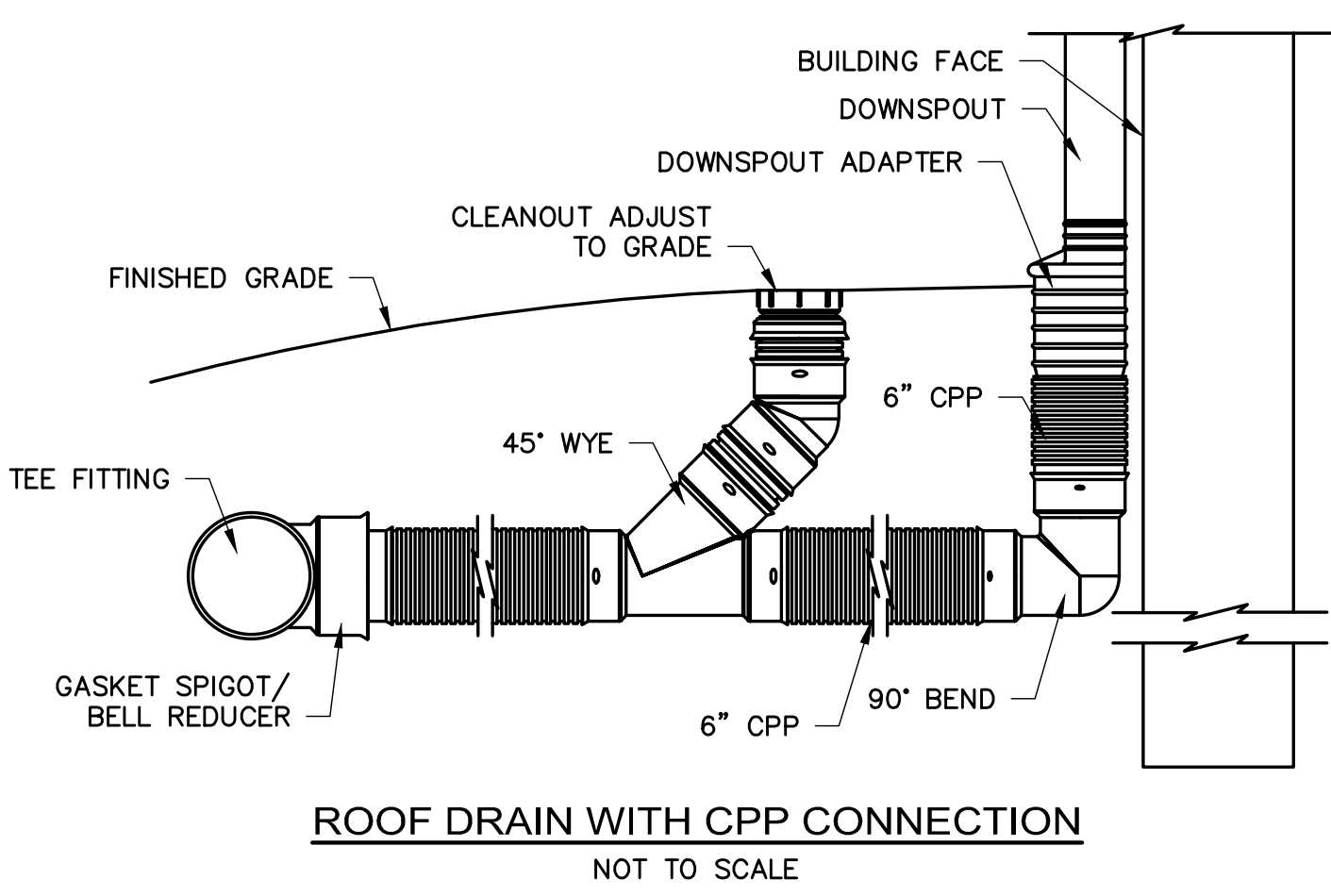
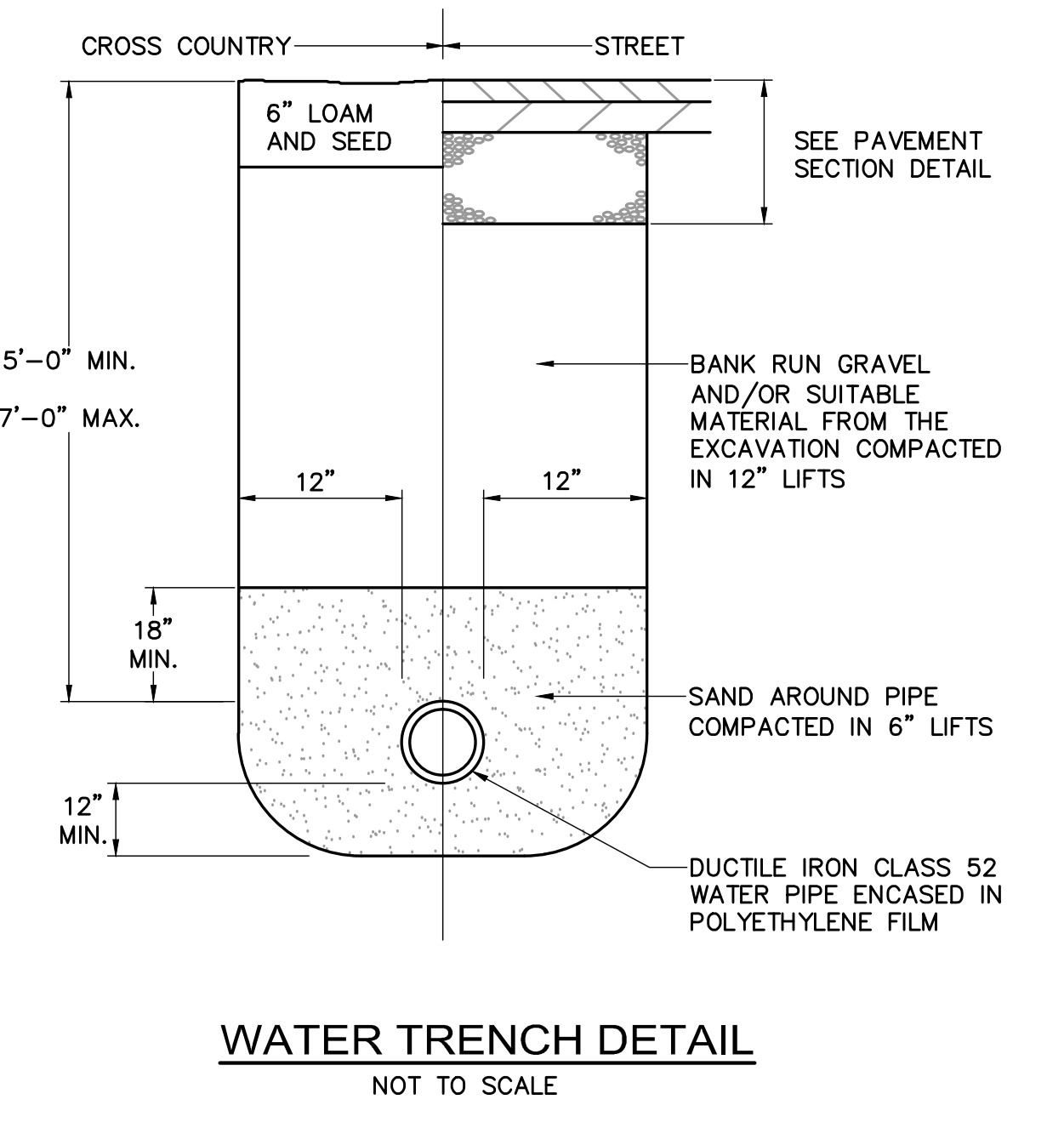
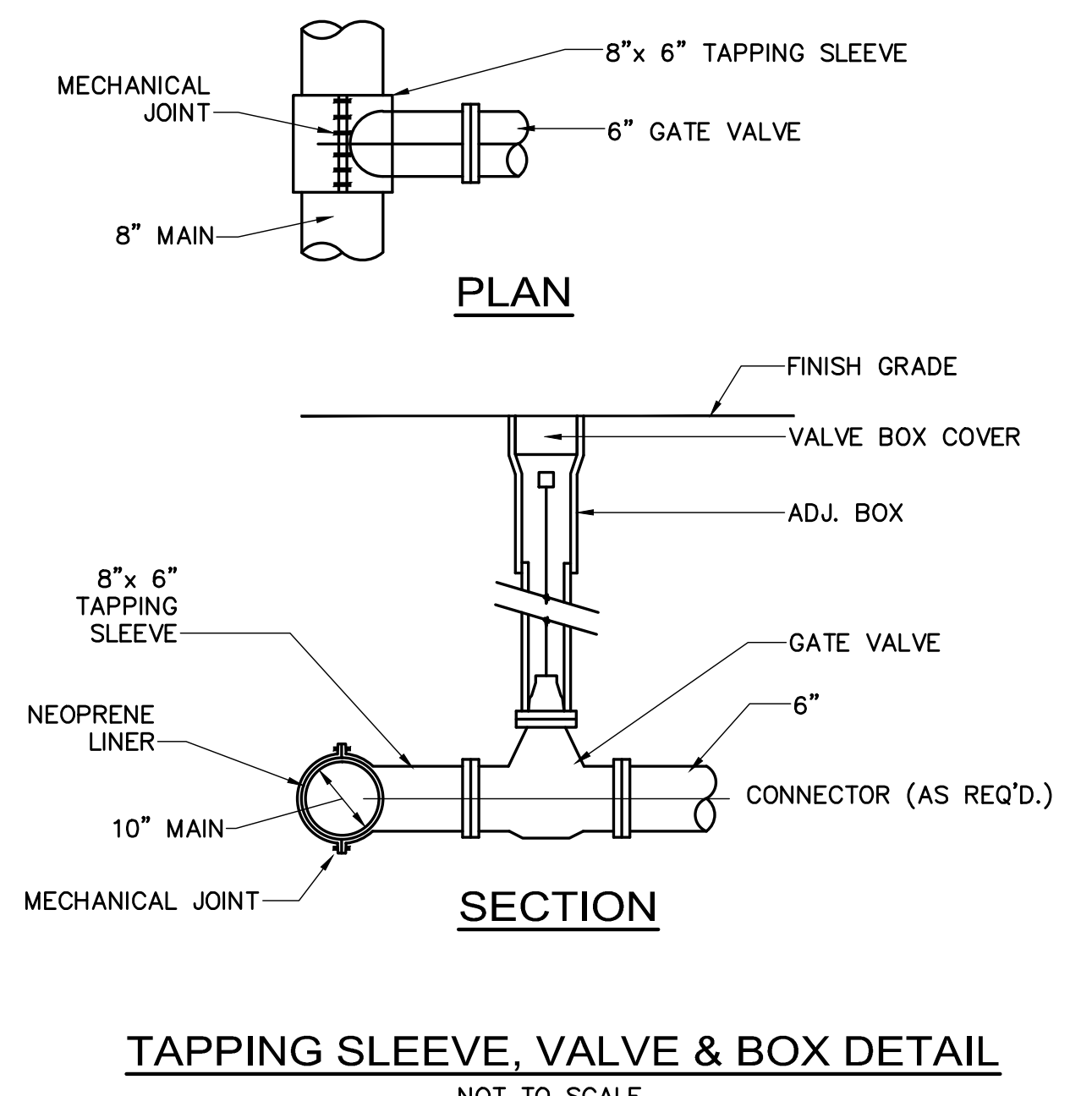
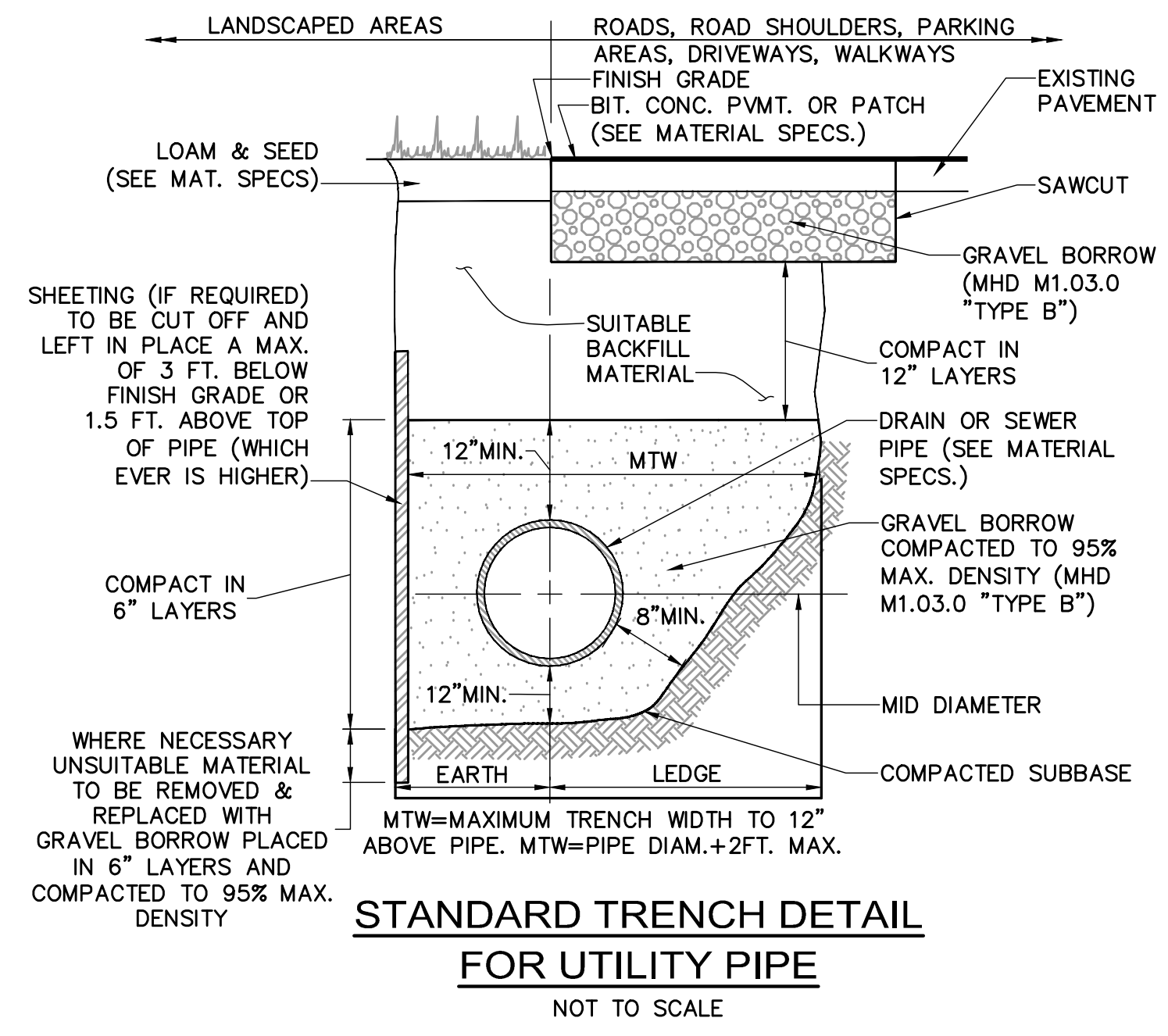


TABLE OF BEARING AREAS IN SQUARE FEET AGAINST UNDISTURBED MATERIAL FOR FITTING. *

SIZE OF MAIN (INCHES)	90° BEND (S.F.)	45° BEND (S.F.)	DEAD END (S.F.)
4	2.3	1.3	1.6
6	4.7	2.5	3.3
8	8.0	4.5	6.0
12	17.0	9.5	12.0



Revisions:

REVISED PERMIT SET - 2/15/2013

SOUTH HADLEY LIBRARY
 SOUTH HADLEY, MA

Sheet Title: **DETAILS**

Date: 21-NOV-12 Drawn By: TJM
 Scale: As Shown Project No.: 9165