

JOB#: 86558

SCOPE OF WORK - BARLOMEX

MANUFACTURE & SHIP
SHEET 1.0
ITEM A - (1) SET OF HALO LIT CHANNEL LETTERS W/ BACKER

SCOPE OF WORK - BARLO

RECEIVE & INSTALL:
ITEM A - (1) SET OF HALO LIT CHANNEL LETTERS W/ BACKER

MANUFACTURE & INSTALL:
SHEET 2.0
ITEM B - (2) SET OF 1" PLEX FCO LETTERS W/ 1/2" SINTRA BACKER

SHEET 3.0
ITEM C - (1) S/F ALUMINUM PLATE W/ VINYL GRAPHICS

SCOPE OF WORK - SIGN/SUB

GENERAL NOTES

COLORS

HALO-LIT / FACE-LIT LETTERS "E"

Returns: 5" ALUM. PTM, PMS 186c MATTE FINISH

Face: 3/16" RED 2793 PLEX

Trim: 1" RED

LEDs: WHITE

HALO-LIT LETTERS "INK"

Returns: 5" ALUM. PTM, PMS 432c MATTE FINISH

Face: .063 ALUM. PTM, PMS 432c MATTE FINISH

LEDs: WHITE

Backer: 2 1/2" DEEP PTM WHITE

ALL COLORS ARE FOR REPRESENTATION ONLY. SEE ACTUAL SAMPLES FOR COLOR MATCH.

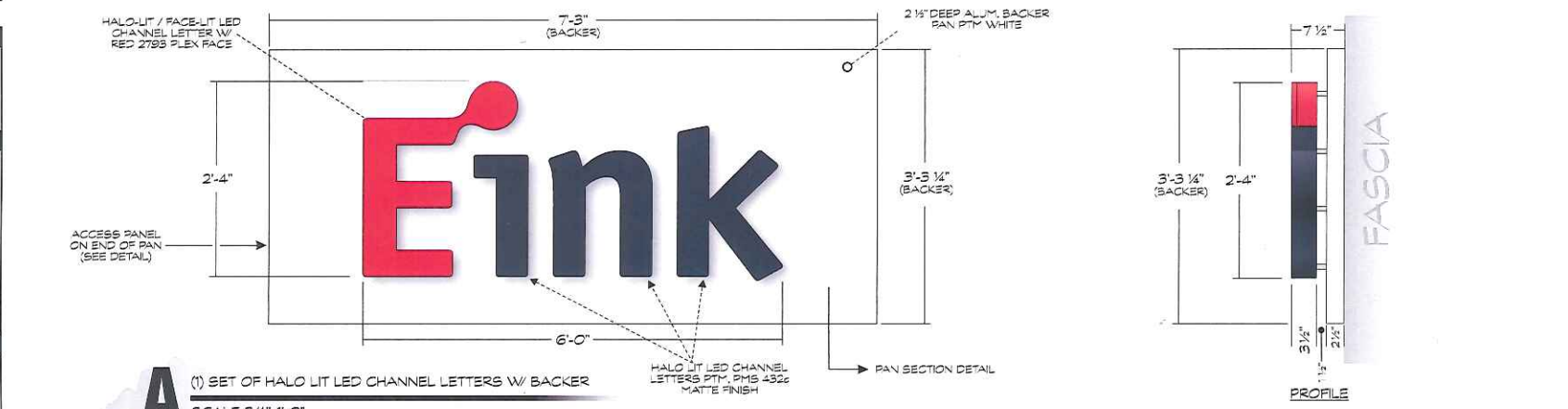
SIGN DISPOSITION

Store for Barlo Leave @ Site Dispose
 Store for Customer Chargeable N/A

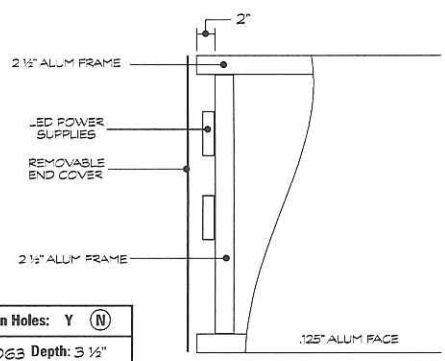
GENERAL INFO.

Qty: ONE Sq. Ft: 23.7 SQF

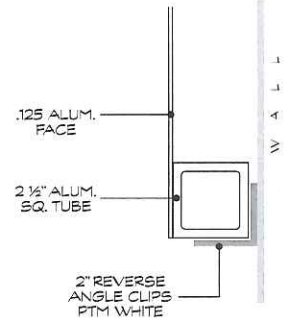
(S/F) D/F (ILL) Non-ILL



A (1) SET OF HALO LIT LED CHANNEL LETTERS W/ BACKER
SCALE 3/4"=1'-0"



ACCESS PANEL DETAIL
SCALE: 3/4"=1'-0"



PAN SECTION DETAIL
SCALE: 3"=1'-0"

BM 9/9/11 RELEASED TO PRODUCTION

Interior	Exterior	Face-Lit	Back-Lit	Drain Holes: Y (N)
Face Mat: ALUM. Th: .125		Returns Mat: ALUM. Th: .063 Depth: 3 1/2"		
Back Mat: Mill Wht BEA (Lexan) Th:		Mylar Size: 1" 2" Metal:		
Mounting: Nutsert (Thru Back) < Clip Other:				
UL Sticker Location: Std (Top Only) Rows of LED: 1 Color: WHITE Footage:				
LED Manufacturer SLOAN WHITE				
Power Supply: 12 Mfg: SLOAN Voltage: 120 Current:				
Self Cont. Remote Raceway Wireway (Pan Backer)				
Interior	Exterior	Face-Lit	Back-Lit	Drain Holes: Y (N)
Face Mat: PLEX Th: 3/16"		Returns Mat: ALUM. Th: .040 Depth: 3 1/2"		
Back Mat: Mill Wht BEA (Lexan) Th: 1/4"		Mylar Size: (1) 2" Metal:		
Mounting: Nutsert (Thru Back) < Clip Other:				
UL Sticker Location: Std (Top Only) Rows of LED: 1 Color: WHITE Footage:				
LED Manufacturer SLOAN WHITE				
Power Supply: 12 Mfg: SLOAN Voltage: 120 Current:				
Self Cont. Remote Raceway Wireway (Pan Backer)				

ELECTRONIC MESSAGE CENTER		PROJECT APPROVAL - PRESALE		Job Name: Eink	
Red	Amber	RGB	Design:	Date:	Location: 7 Gaylord Street, South Hadley MA 01075
Matrix:			Sales:	Date:	Design Specifications Accepted By: _____
Cabinet Size:			PROJECT APPROVAL - PROD.		Drawn By: MO
Pixel Size: MM			Design:	Date:	Client: _____
T & T Weather Station			Estimating:	Date:	Landlord: _____
Comm: Fiber DC RF PM Cell			Engineering: TS	Date: 8/30	Sales Rep: TH
Master/Master Master/Slave			Sales:	Date:	Date: 6/24/11
Computer Provided: Y N			Production:	Date:	
			Installation:	Date:	

© COPYRIGHT 2011 THE BARLO GROUP
THIS DESIGN CONCEPT IS THE PROPERTY OF THE BARLO GROUP. ALL PRODUCTION AND DUPLICATION RIGHTS ARE RESERVED BY THE BARLO GROUP. THIS PRINT IS DESIGNED FOR YOUR PERSONAL USE AND IS NOT TO BE USED OUTSIDE YOUR ORGANIZATION OR EXHIBITED IN ANY MANNER.

Underwriters Laboratories Inc.

ELECTRIC	Existing	Required
Circuits		
Amp		
Voltage		
U.L.		

This sign is intended to be installed in accordance with the requirements of Article 600 of the National Electric Code and/or other applicable local codes. This includes proper grounding and bonding of the sign.

REVISIONS	
Date	Comment
7-26	REMOVED ITEM A OPTION 2, REVISED SIZE OF ITEM A & MADE LOGO FACE-LIT/HALO-LIT ALSO ADDED SINTRA BACKER TO ITEM B & ADDED ITEM C
8-1	REVISED BACKER SIZE ON ITEMS A, B & C
10-20	REVISED VINYL COLOR FOR ITEM C

BARLO SIGNS
158 Greeley St., Hudson, NH 03051
(603) 882-2638 Fax (603) 882-7680

File Name: SOUTH-HADLEY-MA-11067914 (CO 10-20) (U)
B-11-06-7914
COR 2 SHEET: 1.0

JOB#: 86588

SCOPE OF WORK - BARLOMEX
 MANUFACTURE & SHIP
 SHEET 10:
 ITEM A- (1) SET OF HALO LIT CHANNEL LETTERS W/ BACKER

SCOPE OF WORK - BARLO
 RECEIVE & INSTALL:
 ITEM A- (1) SET OF HALO LIT CHANNEL LETTERS W/ BACKER

MANUFACTURE & INSTALL:
 SHEET 20:
 ITEM B- (2) SET OF 1" PLEX FCO LETTERS W/ 1/2" SINTRA BACKER

SHEET 30:
 ITEM C- (1) S/F ALUMINUM PLATE W/ VINYL GRAPHICS

SCOPE OF WORK - SIGN/SUB

GENERAL NOTES

COLORS

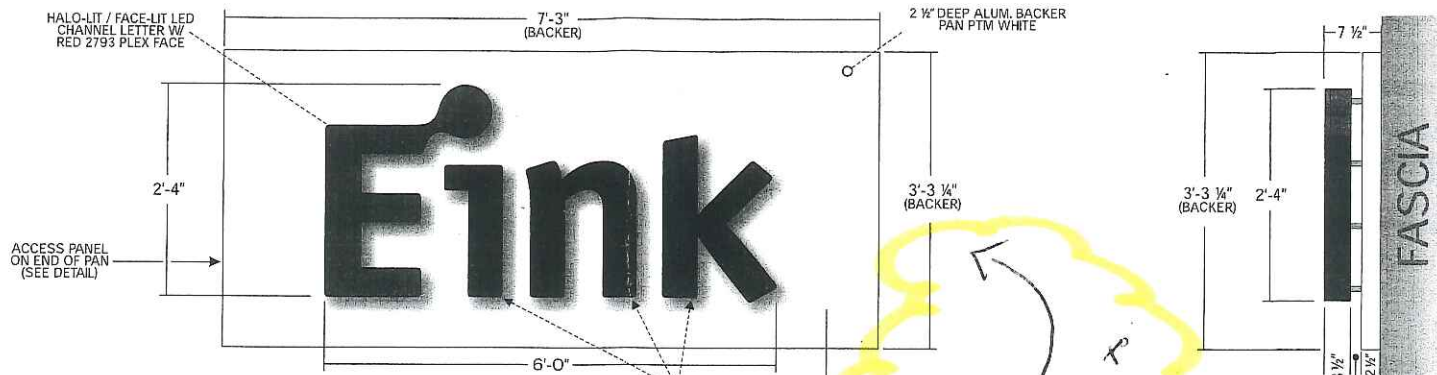
HALO-LIT / FACE-LIT LETTERS "E"
 Returns: 5" ALUM, PTM, PMS 186c MATTE FINISH
 Face: .3/16" RED 2793 PLEX
 Trim: 1" RED
 LEDs: WHITE

HALO-LIT LETTERS "INK"
 Returns: 5" ALUM, PTM, PMS 432c MATTE FINISH
 Face: .063 ALUM, PTM, PMS 432c MATTE FINISH
 LEDs: WHITE
 Backer: 2 1/2" DEEP PTM WHITE

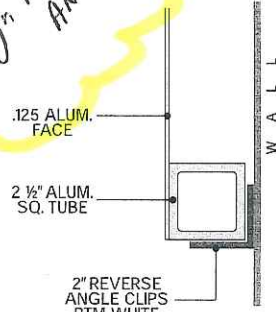
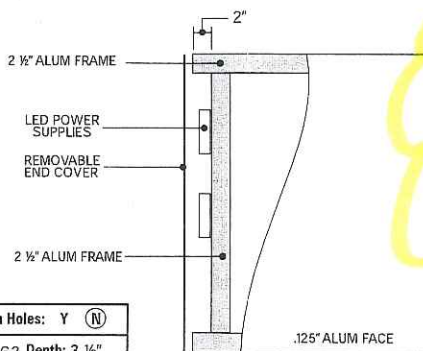
ALL COLORS ARE FOR REPRESENTATION ONLY. SEE ACTUAL SAMPLES FOR COLOR MATCH.

SIGN DISPOSITION
 Store for Barlo Leave @ Site Dispose
 Store for Customer Chargeable N/A

GENERAL INFO.
 Qty: ONE Sq. Ft: 23.7 SQ.
 S/F D/F ILL Non-ILL



A (1) SET OF HALO LIT LED CHANNEL LETTERS W/ BACKER
 SCALE 3/4"=1'-0"



*2011 INSTALL
 New Sign is in Addition to
 AND Mounted.*

*EXISTING
 (Remaining)*

Interior	<input checked="" type="checkbox"/> Exterior	Face-Lit	<input checked="" type="checkbox"/> Back-Lit	Drain Holes: Y <input checked="" type="checkbox"/> N
Face Mat: ALUM.	Th: .125	Returns Mat: ALUM.	Th: .063	Depth: 3 1/2"
Back Mat: Mill	Wht BEA <input checked="" type="checkbox"/> Lexan	Th:	Mylar Size: 1" 2" Metal:	
Mounting: Nutsert	<input checked="" type="checkbox"/> Thru Back	< Clip	Other:	
UL Sticker Location: Std	<input checked="" type="checkbox"/> Top Only	Rows of LED: 1	Color: WHITE	Footage:
LED Manufacturer	SLOAN WHITE			
Power Supply: 12	Mfg: SLOAN	Voltage: 120	Current:	
Self Cont.	Remote	Raceway	Wireway	<input checked="" type="checkbox"/> Pan Backer

BM 9/9/11 RELEASED TO PRODUCTION

ELECTRONIC MESSAGE CENTER	PROJECT APPROVAL - PRESALE
Red Amber RGB	Design: Date:
Matrix:	Sales: Date:
Cabinet Size:	PROJECT APPROVAL - PROD.
Pixel Size: MM	Design: Date:
T & T Weather Station	Estimating: Date:
Comm: Fiber DC RF PM Cell	Engineering: TS Date: 8/30
Master/Master Master/Slave	Sales: Date:
Computer Provided: Y N	Production: Date:
	Installation: Date:

Job Name: **Eink**

Location: 7 Gaylord Street, South Hadley MA 01075

Design Specifications Accepted By: _____

Client: _____

Landlord: _____

Date: 6/24/11

Drawn By: MO

Sales Rep: TH

© COPYRIGHT 2011 THE BARLO GROUP
 THIS DESIGN CONCEPT IS THE PROPERTY OF THE BARLO GROUP. ALL PRODUCTION AND REPLICATION RIGHTS ARE RESERVED BY THE BARLO GROUP. THIS PRINT IS DESIGNED FOR YOUR PERSONAL USE AND IS NOT TO BE USED OUTSIDE YOUR ORGANIZATION OR EXHIBIT IN ANY MANNER.

Underwriters Laboratories Inc.

ELECTRIC	Existing	Required
Circuits		
Amp		
Voltage		
U.L.		
This sign is intended to be installed in accordance with the requirements of Article 500 of the National Electric Code and/or other applicable local codes. This includes proper grounding and bonding of the sign.		
REVISIONS		
Date	Comment	
7-26	REMOVED ITEM A OPTION 2 REVISED SIZE OF ITEM A & MADE LOGO FACE-LIT/HALO-LIT ALSO ADDED SINTRA BACKER TO ITEM B & ADDED ITEM C	
8-1	REVISED BACKER SIZE ON ITEMS A, B & C	

BARLO SIGNS
 158 Greeley St., Hudson, NH 03051
 (603) 882-2938 Fax (603) 882-7680

File Name: SOUTH HADLEY MA 11067914 U
B-11-06-7914
 SHEET: 1.0